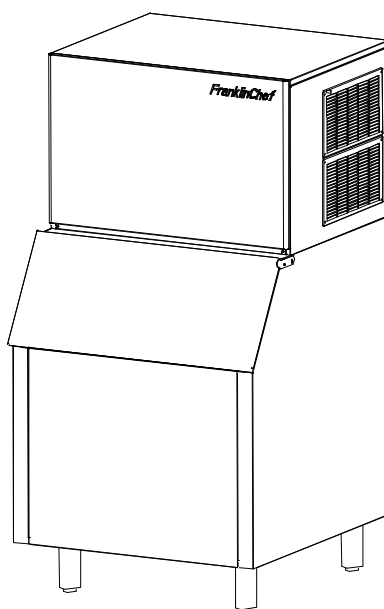


# **FranklinChef®**

## **Automatic Commercial Ice Cube Machine**

## **Máquina de hielo comercial automática**

## **Machine à glaçons automatique commerciale**



***User's Manual / Manual del usuario / Manuel de l'utilisateur***

**Be sure ice maker has been standing upright for at least 24 hours prior to plug-in.**

**Cerciórese de que la máquina de hielo ha estado en posición vertical durante por lo menos 24 horas antes de enchufarla.**

**S'assurer que la machine à glaçons est restée à la verticale pendant au moins 24 heures avant de la brancher.**

***Franklin Industries, LLC***

4100 First Avenue

Brooklyn, NY 11232-3321

Tel.: 1-866-837-5277

E-mail: [customerservice@franklinchef.com](mailto:customerservice@franklinchef.com)

**Models/Modelos/Modèles**

**FIM400, FIM600, FIM1000**

# TABLE OF CONTENTS

	<b>Page</b>
ICE MAKER SAFETY .....	2
IMPORTANT SAFEGUARDS .....	2 6 4
TECHNICAL INFORMATION .....	5
INTRODUCTION .....	5
COMPONENT LOCATIONS .....	6
ICE MAKER INSTALLATION .....	7 - 12
Unpacking .....	7
Location Requirements .....	7 6 8
Typical Installation of Ice Storage Bin .....	8 - 9
Electrical Requirements .....	9 - 10
Connecting the Power Supply Line .....	10 - 11
Water Supply .....	11
Installation Types .....	12
OPERATION .....	12 - 15
Final Checklist before Operation.....	12
Operating Method .....	12 - 13
How the Machine Makes Ice .....	13 - 14
Normal Sounds .....	14
Preparing the Ice Maker for Long Storage .....	14 - 15
CLEANING AND MAINTENANCE.....	15 - 18
Exterior Cleaning.....	16
Interior Cleaning .....	16
Water Distribution Tube Cleaning .....	16 - 17
Ice-Making System Cleaning .....	17
Condenser Cleaning .....	18
CONTROL PANEL .....	18 - 19
TROUBLESHOOTING .....	20 - 21
LIMITED WARRANTY.....	22

**We reserve the right to make changes in specifications and design without prior notice.**

**NOTICE: Models FIM400, FIM600 and FIM1000 are ice-making units and do not include ice storage bins. If you order a bin, please follow this manual and the manual accompanying the bin regarding installation, adjustment of storage bin feet, cleaning, water drainage, etc.**

# ICE MAKER SAFETY

*Your safety and the safety of others are very important.*

We have provided many important safety messages in this manual and on your appliance. Always read and obey all safety messages.



This is the Safety Alert Symbol. This symbol alerts you to potential hazards that can injure or kill you and others. All safety messages will follow the Safety Alert Symbol and either the words **DANGER**, **WARNING** OR **CAUTION**.

**▲ DANGER ▲**

**DANGER** means that failure to heed this safety statement may result in severe personal injury or death.

**▲ WARNING**

**WARNING** means that failure to heed this safety statement may result in extensive product damage, severe personal injury, or death.

**CAUTION**

**CAUTION** means that failure to heed this safety statement may result in minor or moderate personal injury, or property or equipment damage.

All safety messages will alert you to what the potential hazard is, tell you how to reduce the chance of injury, and let you know what would happen if the instructions are not followed.

## IMPORTANT SAFETY INSTRUCTIONS

**WARNING:** To reduce the risk of fire, electric shock or injury, when using your ice maker, follow these basic precautions:

- Plug into grounded 3-prong outlet
- Do not remove grounding prong
- Do not use an adapter
- Do not use an extension cord
- Disconnect power before cleaning
- Disconnect power before servicing
- Replace all panels before operating
- Use 2 or more people to move and install ice machine

SAVE THESE INSTRUCTIONS

## IMPORTANT SAFEGUARDS



Before the ice maker is used, it must be properly positioned and installed as described in this manual, so read the manual carefully. Franklin Industries strongly recommends that you have a professional install your new machine. The warranty may be affected or voided by an incorrect installation. To reduce the risk of fire, electrical shock or injury when using the ice maker, follow basic precautions, including the following:

## DANGER

- It is recommended that a separate circuit, serving only your ice maker, be provided. Use receptacles that cannot be turned off by a switch or pull chain.
- Do not connect or disconnect the electric plug when your hands are wet.
- Never unplug the ice maker by pulling on the power cord. Always grip the plug firmly and pull straight out from the outlet.
- Never clean ice maker parts with flammable fluids. Do not store or use gasoline or other flammable vapors and liquids in the vicinity of this or any other appliance. The fumes can create a fire hazard or explosion.
- Before proceeding with cleaning and maintenance operations, make sure the power line of the unit is disconnected and the water line is shut off. (EXCEPTION: When cleaning the machine's ice making system, see pages 16 & 17.)
- Before operating, put all the enclosure panels back into their original place.
- Do not touch the evaporator with your hand when the machine is operating.
- Unplug the ice maker or disconnect power before cleaning or servicing. Failure to do so can result in electrical shock or death.
- Do not attempt to repair or replace any part of your ice maker unless it is specifically recommended in this manual. All other servicing should be done by a qualified technician.

## WARNING

- Use two or more people to move and install ice maker. Failure to do so can result in back or other injury.
- To ensure proper ventilation for your ice maker, the front of the unit must be completely unobstructed. Choose a well-ventilated area with temperatures above 50°F (10°C) and below 100°F (38°C). This unit **MUST** be installed in an area protected from the elements, such as wind, rain, water spray or drips.
- The ice maker should not be located next to ovens, grills or other sources of high heat.
- The ice maker must be installed with all electrical and water connections in accordance with state and local codes. The standard electrical supply listed on the nameplate (or see page 5, *Technical Information*), properly grounded in accordance with the National Electrical Code and local codes and ordinances, is required.
- Do not kink or pinch the power supply cord or drain lines between the ice maker and the cabinet.
- The fuse (or circuit breaker) size should be 20 amperes for FIM400 and 30 amperes for FIM600 and FIM1000.
- It is important for the ice maker to be well leveled for proper operation. You may need to make several adjustments to level it.
- All installations must be in accordance with local plumbing code requirements.
- Make certain that the hoses are not pinched or kinked or damaged during installation.
- Check for leaks after connection.
- Although the unit has been tested at the factory, due to long-term transit and storage, the first

batch of cubes must be discarded.

- Remove the packing materials and clean the ice maker before using.
- Turn on the water supply tap before switching on the ice maker. Never turn off the water supply tap when the ice maker is working.
- Except to take ice from the storage bin, keep the bin door closed in order to reduce ice melting and to promote proper ice formation.
- If the ice maker will not be used for a long time, before the next use it must be thoroughly cleaned. Follow carefully any instructions provided for cleaning or use of sanitizing solution. Do not leave any solution inside the ice maker after cleaning.
- DO NOT touch the condenser fins. The condenser fins are sharp and can be easily damaged.
- DO NOT use solvent-based cleaning agents or abrasives on the interior. These cleaners may transmit taste to the ice cubes, or damage or discolor the interior.
- The ice machine cleaner contains acids. DO NOT use or mix with any other solvent-based cleaner products. Use rubber gloves to protect hands. Carefully read the material safety instructions on the container of the ice machine cleaner.
- Do not use this apparatus for other than its intended purpose.

## **SAVE THESE INSTRUCTIONS**

### **Electrical Connections**

#### **Model FIM400**

Do not, under any circumstances, cut or remove the third (ground) prong from the power cord. For personal safety, this appliance must be properly grounded. The power cord of this appliance is equipped with a 3-prong grounding plug that mates with a standard 3-prong grounding wall outlet to minimize the possibility of electric shock hazard from the appliance. Have the wall outlet and circuit checked by a qualified electrician to make sure the outlet is properly grounded. When a standard 2-prong wall outlet is encountered, it is your responsibility and obligation to have it replaced with a properly grounded 3-prong wall outlet.

#### **Models FIM600 and FIM1000**

Both of these models require electrical inputs of 230VAC ~ 60Hz and their power cords are equipped with plugs that will only fit specialized high-voltage outlets.

The ice maker should always be plugged into its own individual electrical outlet which has a voltage rating that matches the rating label on the appliance. This provides the best performance and also prevents overloading house wiring circuits which could cause a fire hazard from overheated wires. Never unplug your ice maker by pulling on the power cord. Always grip the plug firmly and pull straight out from the outlet. Repair or replace immediately all power cords that have become frayed or otherwise damaged. Do not use a cord that shows cracks or abrasion damage along its length or at either end. When moving the ice maker, be careful not to damage the power cord.

#### **Extension Cord**

Because of potential safety hazards under certain conditions, it is strongly recommended that you do NOT use an extension cord with this ice maker.

## Technical Information

<b>Model</b>	<b>FIM400</b>	<b>FIM600</b>	<b>FIM1000</b>
<b>Electrical input</b>	115VAC / 60Hz	230VAC / 60Hz	230VAC / 60Hz
<b>Power consumption (kW•h/100 lbs of ice)</b>	8.3	8.2	7.8
<b>Ice-making/Ice-harvest rated current</b>	12.4A / 15.3A	7.6A / 9.85A	9.2A / 11.3A
<b>Refrigerant</b>	R404a, 24.5 oz.	R404a, 45.8 oz.	R404a, 52.9 oz.
<b>High/Low side pressure</b>	350psig/190psig	380psig/190psig	400psig/190psig
<b>Unit W x D x H</b>	30ö x 24ö x 20 ö	30ö x 24ö x 20 ö	30ö x 24ö x 26 ö
<b>Unit weight</b>	130 lbs max	155 lbs max	194 lbs max
<b>Ice-making capability</b>	400 lbs/day*	600 lbs/day*	1000 lbs/day*
<b>Ice shape</b>	Cube	Cube	Cube
<b>Ice cube size</b>	¾ö x 1ö x ¾ö	¾ö x 1ö x ¾ö	¾ö x 1ö x ¾ö
<b>Ambient temperature range for best operation</b>	50°F - 100°F	50°F - 100°F	50°F - 100°F
<b>Optimum feed water temperature range</b>	41°F - 90°F	41°F - 90°F	41°F - 90°F

\*The actual quantity of ice produced per day can vary with room and water conditions.

The technical data and performance indices listed above should be used for reference only. They are subject to change.

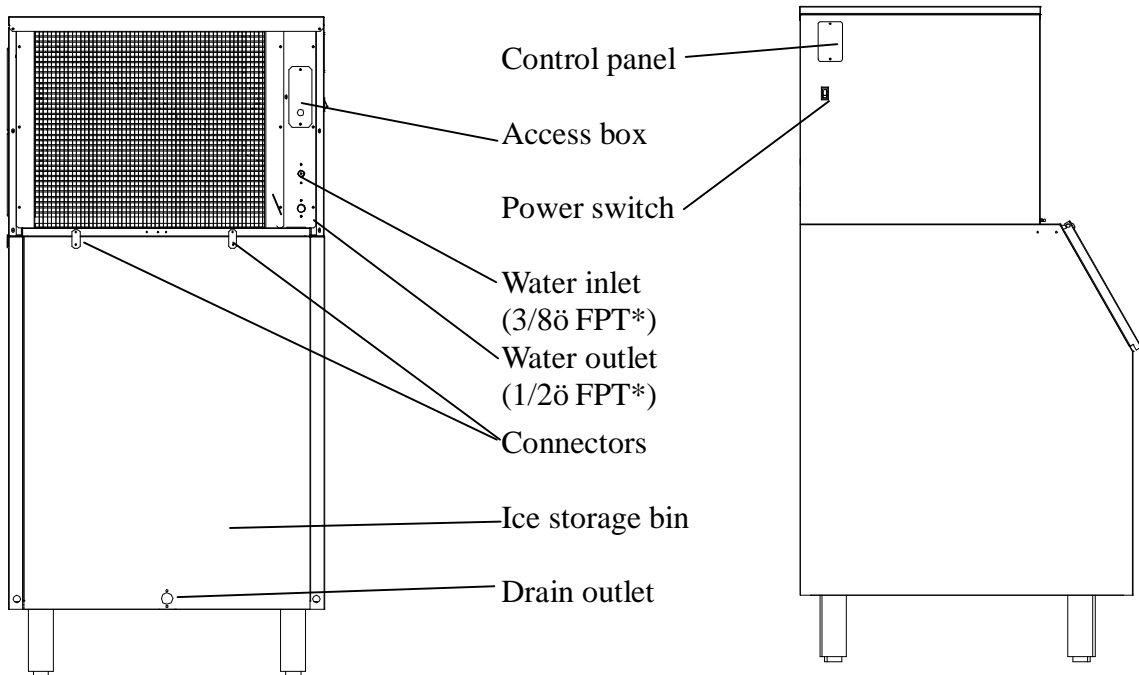
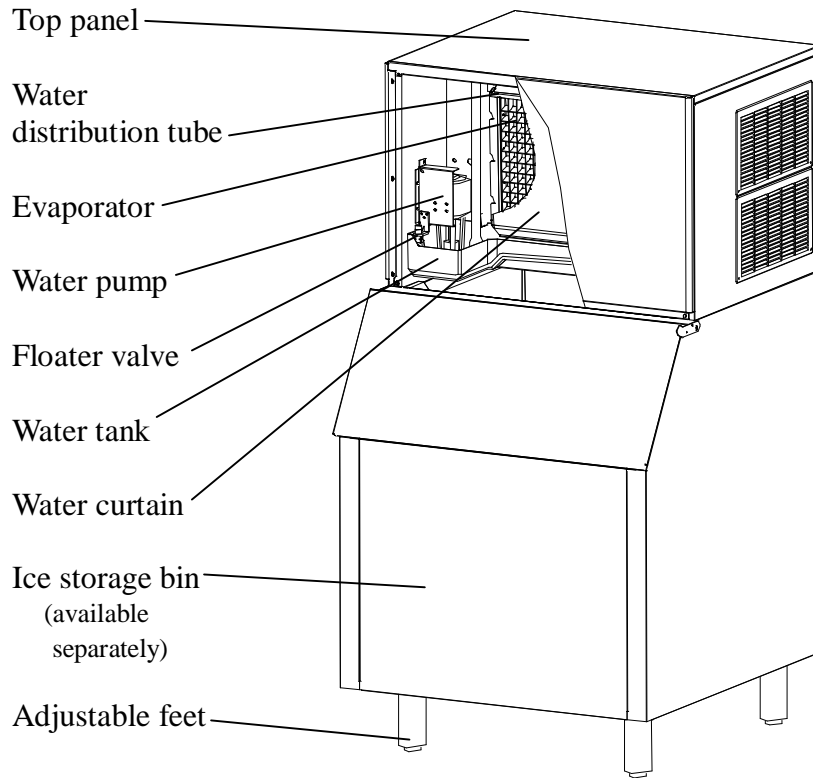
This product has been tested and certified to NSF standard 12 by NSF International.

## Introduction

This Franklin Chef® Automatic Commercial Ice Cube Machine produces hard, crystal-clear, gourmet cube ice. This user's manual is intended as a resource for persons installing, using and servicing this machine. It contains valuable information on safety and maintenance. Franklin Chef® strongly recommends that this manual be kept in a place where it can be accessed when needed. Every Franklin Chef® Ice Cube Machine is designed and manufactured according to the highest standards of safety and performance. It meets or exceeds the safety standard of UL563 and sanitation standard NSF12.

Franklin Industries, L.L.C, assumes no liability or responsibility of any kind for products manufactured by Franklin Industries, L.L.C., that have been altered in any way, including the use of any parts and/or other components not specifically approved by Franklin Industries, L.L.C. Franklin Industries, L.L.C., reserves the right to make design changes and/or improvements at any time. Specifications and designs are subject to change without notice.

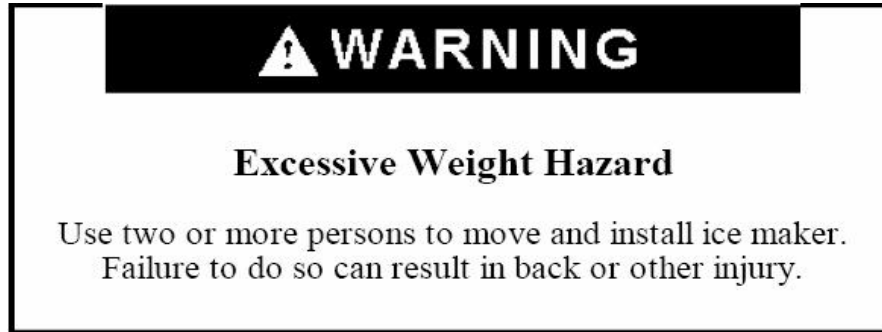
# Component Locations



\*Female Pipe Thread

# Ice Maker Installation

## Unpacking



*This unit is an ice maker only. It requires a separate ice storage bin.*

## Remove packaging materials

*IMPORTANT: Do not remove any permanent instruction labels or the data labels on your ice maker.*

Remove tape and glue from your ice maker before using:

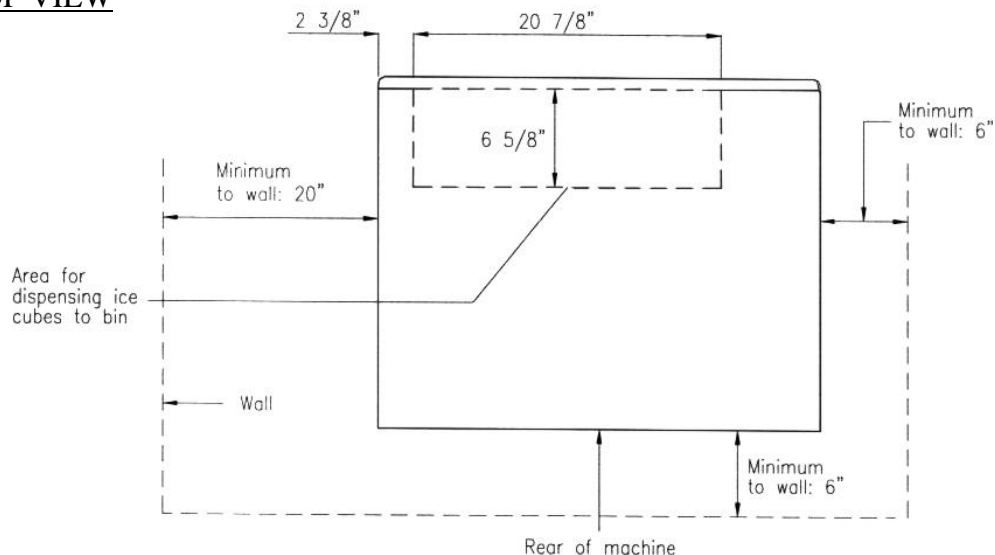
- To remove any remaining tape or glue, rub the area briskly with your thumb. Tape or glue residue can also be easily removed by rubbing a small amount of liquid dish soap over the adhesive with your fingers. Wipe with warm water and dry with a soft cloth.
- Do not use sharp instruments, rubbing alcohol, flammable fluids, or abrasive cleaners to remove tape or glue. These products can damage the surface of your ice maker.

## Location Requirements

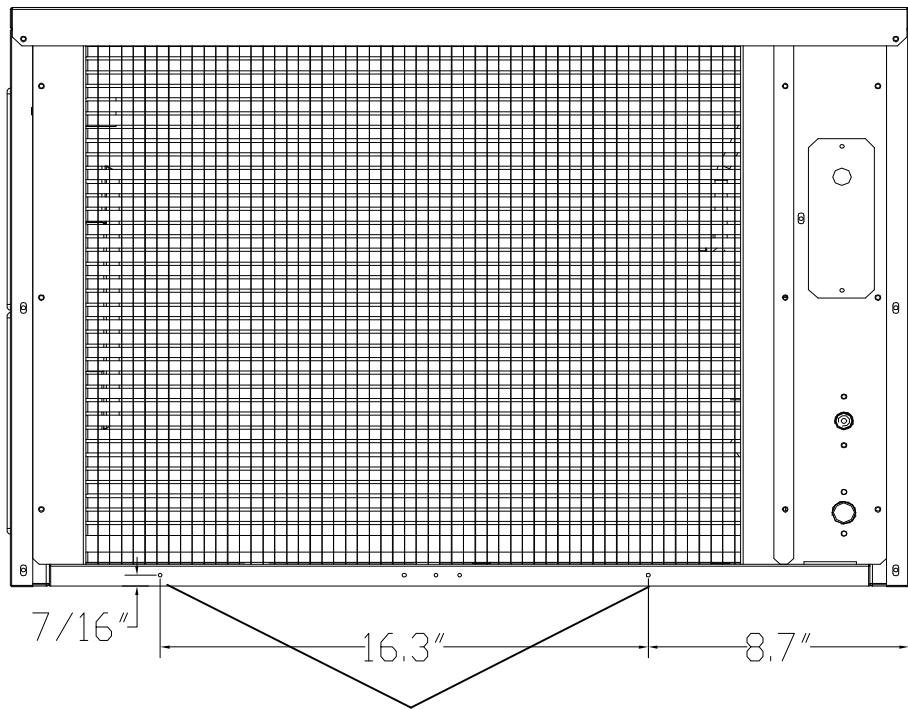
- This ice maker should be installed by qualified personnel.

## Installation clearance

### TOP VIEW

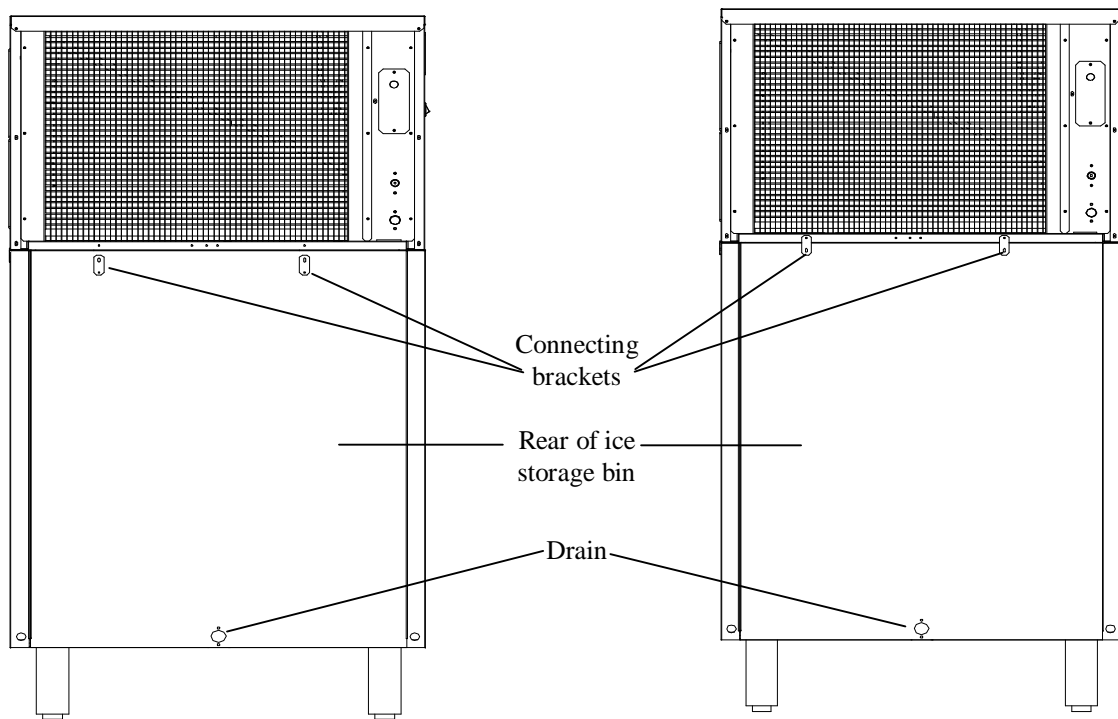






REAR VIEW


The two holes are for attachment to the ice storage bin. See drawings below.



***Typical installation of ice storage bin***

Two connecting brackets are attached to the upper rear edge of the ice storage bin. Turn the brackets up (180°) and use two screws to connect the main machine and ice storage bin.




- To ensure proper ventilation for your ice maker, you need keep the front of the unit completely unobstructed.
- Choose a well-ventilated area with temperatures above 50°F (10°C) and below 100°F (38°C). This unit **MUST** be installed in an area protected from the elements, such as wind, rain, water spray or drips.
- The unit should not be located next to ovens, grills or other sources of high heat.
- Installation of the ice maker requires a cold water supply inlet of 1/2" (12.7 mm) soft copper tubing with a shut-off valve.
- The ice maker requires a continuous water supply with a minimum pressure of 15 psig and a static pressure not to exceed 80 psig. The temperature of the water feeding into the ice maker should be between 41°F (5°C) and 90°F (32°C) for proper operation.

 <b>WARNING</b>
<p>Normal operating ambient temperature should be between 50°F (10°C) and 100°F (38°C). Normal operating water temperature should be between 41°F (5°C) and 90°F (32°C). Operation of the ice maker for extended periods outside of these normal temperature ranges may affect production capacity.</p>

- In general, it is always a good idea to filter the water. A water filter, if it is of the proper type, can remove taste and odors as well as particles.
- The ice maker must be installed with all electrical and water connections in accordance with state and local codes.
- The ice maker and bin should be located on a firm and level surface. It is important for the ice maker to be perfectly level for proper operation; otherwise water may not flow properly through the evaporator (ice mold). Ice production will be less than expected and operation will be noisy.

The feet of most bins can be rotated to adjust the height if necessary. Follow instructions accompanying the bin you purchase.

### *Electrical Requirements*

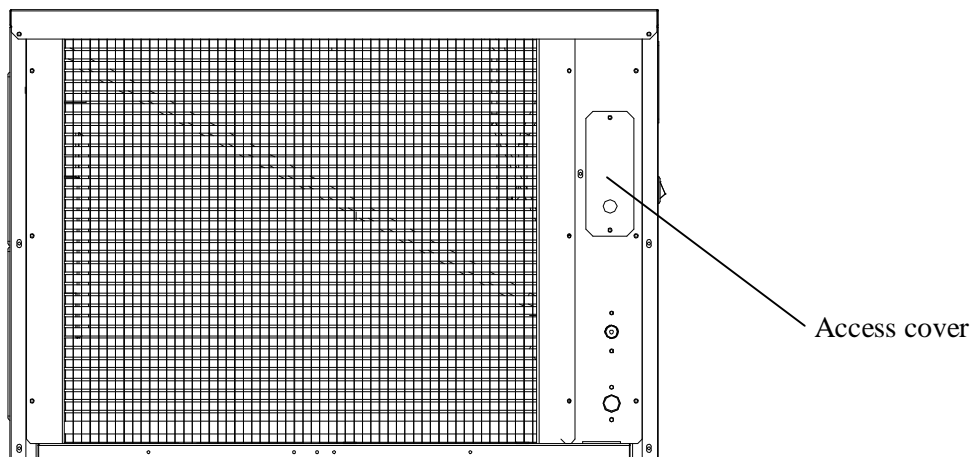
 <b>DANGER</b> 

<p><b>Electrical Shock Hazard</b></p> <p>Plug into a grounded 3-prong outlet.          Never remove the grounding prong from the plug.          Never use an adapter.          Never use an extension cord.          Failure to follow these instructions can result in fire, electrical shock or death.</p>

Before you move your ice maker into its final location, be sure you have the proper electrical connection. Refer to the nameplate rating on the left side of the machine (or see *Technical Information* on page 5) to make sure you are using the proper voltage, properly grounded in accordance with National Electrical Code and local codes and ordinances. The ice maker should always be plugged into its own individual electrical outlet. It is recommended that a separate circuit, serving only your ice maker, be provided. Use receptacles that cannot be turned off by a switch or pull chain. The fuse (or circuit breaker) size should be 20 amperes for model FIM400 and 30 amperes for models FIM600 and FIM1000.

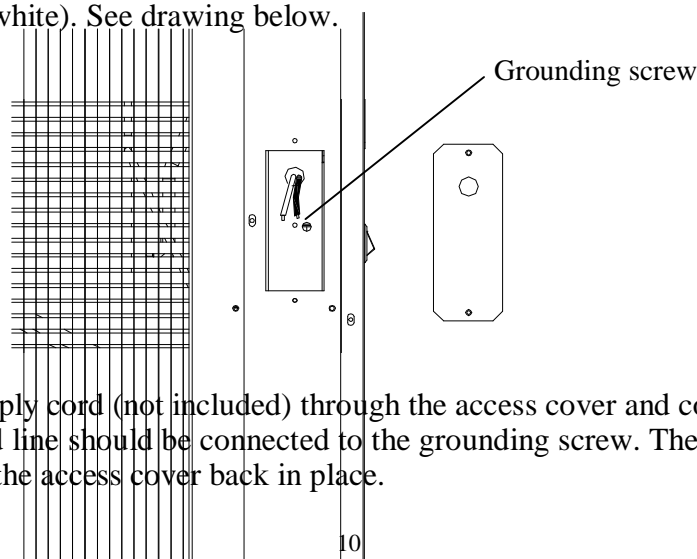
### **Recommended grounding method**

For your personal safety, this appliance must be grounded. For model FIM400, the power supply cord (not included) must have a 3-prong grounding plug. To minimize possible shock hazard, the cord must be plugged into a mating 3-pronged and grounding-type wall receptacle, grounded in accordance with the National Electrical Code and local codes and ordinances. If a mating wall receptacle is not available, it is the personal responsibility of the customer to have a properly grounded, 3-prong wall receptacle installed by a qualified electrician. Models FIM600 and FIM1000 require a cord, plug and electrical outlet intended for a 230VAC circuit.

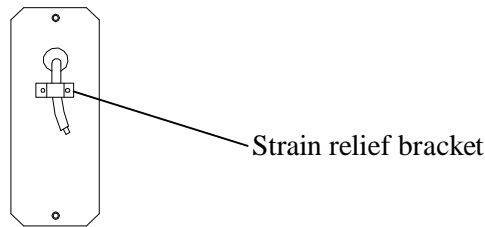
### ***Connecting the power supply line***



1. Unscrew the two screws holding the access cover and remove the cover. You will find two leads (black and white). See drawing below.



2. Feed a power supply cord (not included) through the access cover and connect it with the two leads. The ground line should be connected to the grounding screw. The two connectors must be insulated. Put the access cover back in place.



3. You will find a strain relief bracket in the accessory package. Fix the power supply cord below the bracket, as shown in the illustration above.
4. The other end of the power supply cord should be connected to an outlet that is in accordance with the local electrical code.

**NOTE: Your machine is stackable on any of the Franklin Chef® machines mentioned in this manual. If the machine is to be stacked on top of another machine, a stacking kit will need to be installed. Refer to the installation instructions included with the stacking kit.**

### ***Water Supply***

The water supply should be ready at the point of installation. The water supply pressure should be a minimum of 15 psig with a static pressure not more than 80 psig. (A wall outlet directly behind the ice maker will make installation easier.)

### ***IMPORTANT:***

1. *It is extremely important for proper functioning and for the purity and taste of the ice to use a water filter when installing the machine. Using a water filter will protect your machine and prevent clogs that result from excess minerals in the water.*
2. *All installations must be in accordance with local plumbing code requirements. Professional installation is recommended.*
3. *Water inlet fitting: 3/8" FPT; drain line connection: 1/2" FPT.*
4. *Make certain that you use a proper water supply hose and drain hose and that the hoses are not pinched or kinked or damaged during installation.*
5. *Check for leaks after connection.*

**Tools required:** 3/8 open-end wrench, Phillips screwdriver

### **Connecting the water line:**

1. Turn off main water supply.
2. Find a 1/2 to 3/4 vertical water pipe near the installation location. The distance should be less than the length of the water supply hose.
3. A shut-off valve must be installed to the main water supply.
4. Connect the water supply hose to tap and water inlet valve. Tighten firmly by hand, then one-half turn with wrench.
5. Connect the water drain hose to drain line connection. Tighten firmly by hand, then one-half turn with wrench.
6. Turn on main water supply and tap. Check for water supply connection leaks. Tighten every connection (including connections at the water inlet and drain).

### ***Installation Types***

This ice maker has only been designed for free-standing installation. The ice maker can be installed free-standing in any place you desire, provided you have access to a water supply. There must be adequate air space around the unit for ventilation purposes. (See page 7.)

You must follow the stated instructions for

- a. Electrical requirements
- b. Water supply
- c. Drainage.

### **Cleaning before use**

After you remove all tape from the machine, clean the inside of your ice maker and ice storage bin before using them. See "Interior Cleaning" in the *Cleaning and Maintenance* section.

## **Operation**

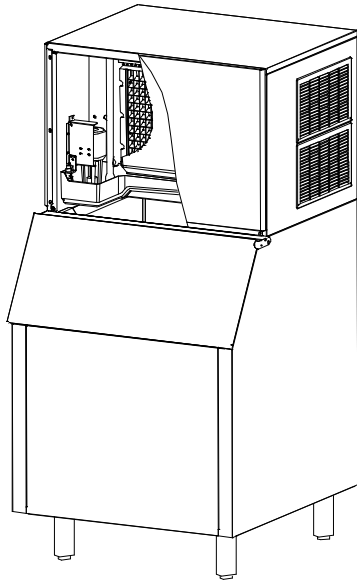
### ***Final Check List before Operation***

1. Have all packing materials and tape been removed from the interior and exterior of the ice maker?
2. Did you clean the ice storage bin?
3. Have the installation instructions been followed, including connecting the machine to water and electricity?
4. Has the machine been leveled?
5. Is the ice maker in a site where the ambient temperature is between 50° F (10° C) and 100° F (38° C) and the water temperature between 41° F (5° C) and 90° F (32° C) all year round?
6. Has the water supply pressure been checked to ensure a minimum of 15 psig with a static pressure not to exceed 80 psig?
7. Is there a clearance of at least 6" at the rear and 6" at the sides for proper air ventilation?
8. Has the power supply voltage been checked or tested against the nameplate rating? And has proper grounding been installed for the ice maker?
9. Is the ice maker plugged in?
10. Have you turned on the main water supply and the tap?
11. Have you checked for leaks at all water supply connections?

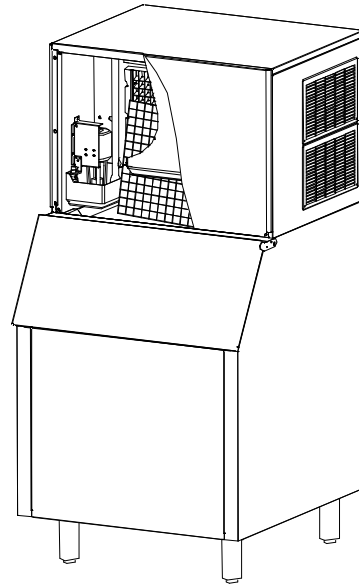
### ***Operating Method***

1. Turn on the water tap; water enters the water tank. Then turn on the power switch; the red indicator LED of the power switch lights.
2. After 3 minutes, the ice maker will automatically proceed to the ice-making stage and the sound of flowing water will be heard.
3. When a batch of ice has been fully formed, it will be harvested into the ice storage bin automatically.

4. When the ice storage bin is full, the sheet of cubes will not fall completely. The water curtain opens and keeps the microswitch open. The machine is in the bin full stage.
5. The unit will start making ice again after ice cubes are removed. At the same time, the water curtain swings back to hold the microswitch in operating position.



Ice-making stage



Ice harvest stage

***IMPORTANT:***

- *Although the unit has been tested and cleaned at the factory, due to long-term transit and storage, the first batch of cubes must be discarded.*
- *Never turn off the water supply tap when the ice maker is working.*
- *Never touch the evaporator when the machine is running.*
- *Except to take ice from the unit, keep the bin door closed to reduce melting and ensure proper ice formation.*

***How the Machine Makes Ice***

Turn the power switch to the ON position. After about 3 minutes the machine will automatically go into the ice-making stage.

There are two distinct cycles: Freeze and Harvest. During the freeze cycle, water flows to the evaporator surface. In the harvest cycle, the ice is released and water enters the machine. A complete cycle (freeze cycle and harvest cycle) takes 15 to 40 minutes, depending on temperature and operating conditions.

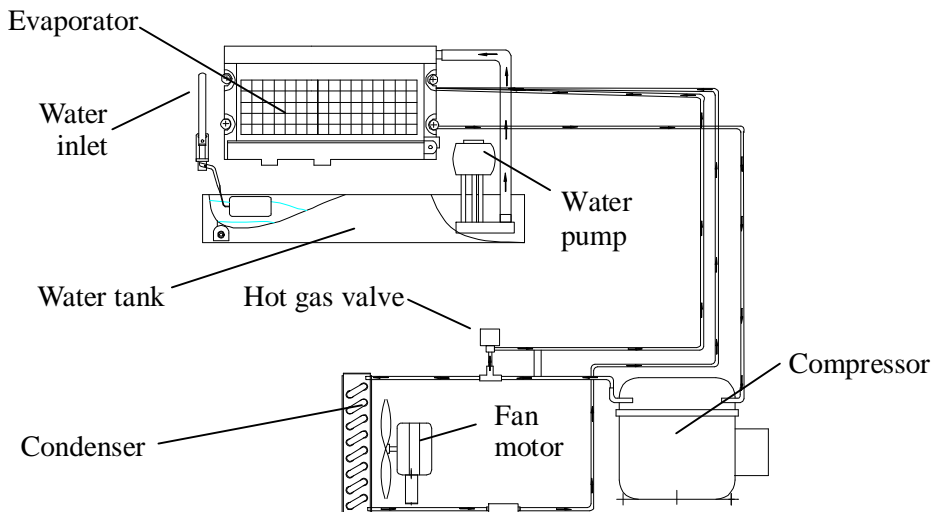
**Freeze:** During the freeze cycle the compressor is pumping refrigerant, the fan motor is blowing air, and the water pump is pumping water. When the batch of ice has been fully formed, the ice maker stops the freeze cycle and the harvest cycle starts.

**Harvest:** During the harvest cycle the compressor is still operating, and power is supplied to the water purge and hot gas valves. The water purge valve opens and allows the water pump

to purge the water remaining in the water tank, removing all impurities and sediment. This allows the machine to make clear ice cubes and keep mineral build-up at a minimum. Then the water pump stops. When the hot gas valve opens, it allows hot gas to go directly to the evaporator. The gas warms the evaporator, causing the cubes to slide off the evaporator and into the storage bin. The freeze cycle will restart when all the cubes drop into the bin.

### **How the machine uses water:**

The ice maker begins with a fixed charge of water that is contained in the water tank. As the water flows to the freezing evaporator surface, the water freezes and sticks to the ice cube molds. During the ice-making process, fresh water enters the water tank continuously as the water from the tank freezes continuously on the evaporator.



### ***Normal Sounds***

Your new ice maker may make sounds that are unfamiliar to you. Most of the new sounds are normal. Hard surfaces like the floor and walls can amplify the sounds. The following describes the kinds of sounds that might be new to you and what may be causing them.

- Rattling noises may come from the flow of the refrigerant or the water line. Items stored on the top of the ice maker can also make noises.
- The high-efficiency compressor may make a pulsating or high-pitched sound.
- Running water may make a splashing sound.
- You may hear air being forced over the condenser by the condenser fan.
- During the harvest cycle, you may hear the sound of ice cubes falling into the ice storage bin.

### ***Preparing the Ice Maker for Long Storage***

If the ice maker will not be used for a long time, or it is to be moved to another place, it will be necessary to drain water from the system.

1. Shut off the water supply at the main water source.
2. Disconnect the water supply pipe from the water inlet.

3. Depress the Clean button and hold for six seconds. The machine will go into the draining water mode automatically, with harvest and ice-making indicators blinking, until the water in the tank has been flushed down the drain completely. After draining, the harvest and ice-making indicator LEDs will be on. The draining process stops.
4. Shut off the power supply at the main electrical power source.
5. Dry the water tank.
6. Remove all ice cubes from the ice storage bin and dry it.
7. Leave the door open to allow for ventilation and to prevent mold and mildew.
8. Leave the water supply pipe and power cord disconnected until ready to reuse.

**IMPORTANT:**

- *Do not touch the power plug when your hands are wet.*
- *Never unplug the unit by pulling on the plug.*

## Cleaning and Maintenance

### CAUTION

If the ice maker is left unused for a long time, before the next use it must be thoroughly cleaned. Follow carefully any instructions provided for cleaning or use of sanitizing solution. Do not leave any solution inside the ice maker after cleaning.

Periodic cleaning and proper maintenance will ensure efficiency, top performance, and long life. The maintenance intervals listed are based on normal conditions. You may want to shorten the intervals if you have pets or there are other special considerations.

#### **What shouldn't be done?**

Never keep anything in the ice storage bin other than ice: objects like wine and beer bottles are unsanitary, and the labels may slip off and block the drain.

#### **What should be kept clean?**

There are 5 things to keep clean:

1. The exterior
2. The interior
3. Water distribution tube
4. The ice-making system
5. Condenser fins



## **WARNING**

Before proceeding with cleaning and maintenance operations, make sure the power line of the unit is disconnected and the water line is shut off. (EXCEPTION: Cleaning of ice-making system)

### ***Exterior Cleaning***

The exterior of the ice maker and bin may be cleaned with a soft cloth or sponge dampened with a mild detergent and warm water solution such as 1 oz of dishwashing liquid mixed with 2 gallons of warm water. Never use solvent-based or abrasive cleaning agents. Rinse with clean water. Wipe with a soft clean towel to prevent water spotting.

### ***Interior Cleaning***

Clean the water tank before the ice maker is used for the first time and reused after stopping for an extended period of time. It is usually convenient to sanitize the tank after the ice-making system has been cleaned and the ice storage bin is empty. The ice storage bin should be sanitized occasionally. Follow these steps to clean the tank and the bin:

1. Disconnect power to the unit.
2. Remove the front panel of the ice maker.
3. Using a sanitizing solution made of 1 ounce of household bleach and 2 gallons of hot water (95° to 115°F), wipe down the water tank and the inside of the ice storage bin with a clean cloth. To clean hard-to-reach corners, apply the sanitizing solution with a spray bottle.
4. Rinse thoroughly with clear water. This completes the interior cleaning of the ice maker and storage bin.
5. Reconnect power to the unit.

## **WARNING**

DO NOT use solvent-based cleaning agents or abrasives on the interior. These cleaners may transmit taste to the ice cubes, or damage or discolor the interior.

### ***Water Distribution Tube Cleaning***

When you find that the ice cubes are incompletely formed or the output of ice cubes is low, the water distribution tube may be blocked. Set the power switch to OFF. Unscrew the top and front panels. You will see the water distribution tube. Rotate the water distribution tube so that the holes in it are facing up. Using a toothpick or similar tool, dredge the holes, then rotate the water distribution tube back to its original position. If the tube is badly blocked, clean it as follows:

1. Shut off the water and power supplies.
2. Disconnect the water hose from the distribution tube.

3. Lift one side and remove the distribution tube.
4. With a brush, clean the tube with a dilute solution of warm water and a mild detergent such as dishwashing liquid. After removing the dirt and lint from the surface, rinse the tube with clean water.
5. Replace the distribution tube.
6. Reconnect the water supply and power supply lines.
7. Re-attach the top and front panels.

### ***Ice-Making System Cleaning***

Minerals that are removed from water during the freezing cycle will eventually form a hard, scaly deposit in the water system. Cleaning the system regularly helps remove the mineral scale buildup. How often you need to clean the system depends on how hard your water is or how effective your filtration may be. With hard water of 15 to 20 grains/gallon (4 to 5 grains/liter), you may need to clean the system every 3 months.

1. Remove the front panel of the ice machine.
2. Make sure all ice is off the evaporator. If ice is being made, initiate harvest or wait for cycle completion, then turn machine off at the power switch.
3. Remove all ice cubes from the storage bin.
4. Keep the ice maker connected to the water supply. Pour 8 oz. of Nickel-Safe Ice Maker Cleaner Solution into the water tank.
5. Turn on the power switch. Within 3 minutes press the Clean button. The machine will go into the cleaning mode automatically.
6. The ice-making system cleaning cycle will continue for 30 minutes unless you press the power switch (you can press the power switch to stop the cleaning cycle any time during the 30 minutes). After cleaning, the harvest indicator and ice-making indicator LEDs will be on. The cleaning process stops.
7. Repeat steps 4 and 5 above three times to rinse the ice-making system thoroughly. This will complete the ice-making system cleaning.  
(NOTE: Do not add Ice Maker Cleaner Solution to the water tank during the rinses.)
8. Perform steps 3 and 4 in the *Interior Cleaning* section.
9. If you want to make ice cubes after cleaning, turn off the power switch, then turn on the power switch. The next ice-making cycle will begin.
10. Discard the first batch of ice.

**Note: If you press the power switch to stop cleaning during the cleaning cycle, some waste water may remain in the water tank. Press the clean button and hold it for more than 6 seconds. The machine will enter the draining mode and the waste water will be drained off.**

## **WARNING**

The ice machine cleaner contains acids.

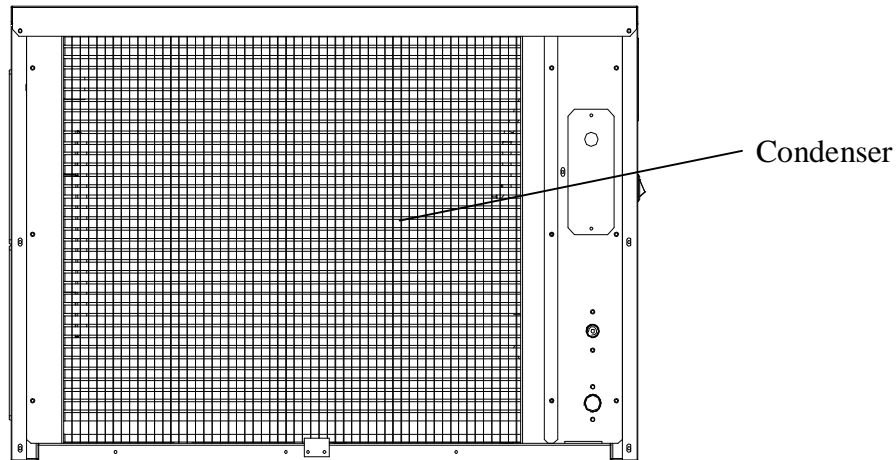
**DO NOT** use or mix with any other solvent-based cleaner products.

Use rubber gloves to protect hands. Carefully read the material safety instructions on the container of the ice machine cleaner.

**DISCARD** the first batch of ice produced after cleaning.

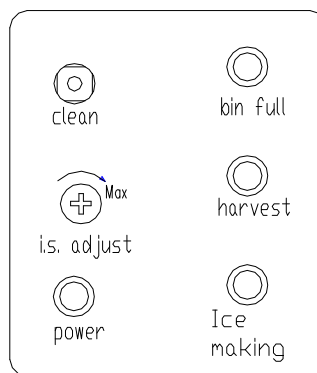
## Condenser Cleaning

1. See drawing below.



2. The air-cooled condenser should be vacuumed once or twice per year to remove any lint that may have been drawn into it. Use a pointed tool like a toothpick to remove any lint that adheres to the condenser fins.

## Control Panel (at the left side of the machine)



You will find the control panel at the left side of the machine. This panel includes one button, one adjustable screw and four indicator LEDs.

### Operation of the control panel:

1. When the unit is plugged in and the power switch is turned on, the power indicator and the other three indicator lights are all on.
2. After three minutes for water inlet, the ice maker will start to make ice automatically. Only the power and ice-making indicators will be on.
3. During harvest, the harvest indicator light is on and ice-making indicator is off. When the ice storage bin is full, only the bin full indicator and power indicator are on.
4. If the Clean button is pressed during the ice-making or harvest mode, it will be ignored. The ice-making or harvest will continue.

5. When you want to clean the machine, turn off the power switch first, then turn it on again. Press the Clean button within 3 minutes and the ice maker will start the cleaning mode, with harvest and ice-making indicators blinking. After 30 minutes, the cleaning mode stops and the harvest indicator and ice-making indicators are on steady. If you want to restart the ice-making process after cleaning, turn off the power switch first, then turn on the power switch again and the machine will automatically go into the ice-making process.
6. If you want to interrupt the cleaning mode before it is finished, do not press the Clean button again. Instead, turn the power switch off. This stops the cleaning cycle.
7. If the machine is on but only the power indicator light is lit, this may indicate that not enough water is reaching the system, that the water pump is not functioning, or some similar problem. First check the level in the water tank, then examine the water pump, etc.
8. If the unit is connected to the power supply but no visual indicator lights up when the power switch is turned on, the fuse in the control panel box may need to be replaced.

### **Descriptions of LEDs and buttons:**

1. **Bin Full (white) LED:** Bin Full indicator light  
When this LED is on, this indicates that the ice level in the bin is high enough to hold the water curtain open, the microswitch is open, or there is something obstructing the closing of the water curtain. The unit will stop working. When ice cubes are removed from the ice storage bin, clearing the ice-full probe, the white LED will flash for 3 minutes. Then the unit will restart and return to the ice-making mode.
2. **Ice Making (Green) LED:** Ice Making indicator light  
When this LED is on, the unit is in the ice-making mode.
3. **Ice Harvest (Yellow) LED:** Ice Harvest indicator light  
When this LED is on, the unit is working in the ice harvest mode controlled by microswitch.
4. **I. S. adjust:** Ice bridge adjustment  
For service only. Adjustment of this screw by unqualified persons can damage the machine's controls.
5. **Power switch**  
This is the main switch. When it is turned on, the unit starts working after 3 minutes. The power indicator LED is on.
6. **Clean button**  
If you press the Clean button within three minutes after the power has been turned on, the ice maker will enter the cleaning mode. If you press the Clean button and hold it for more than six seconds, the machine will enter the draining mode. The green and yellow LEDs will be blinking together.

### *IMPORTANT:*

- Avoid letting water contact the control box.

# Troubleshooting

## *Before Calling for Service*

If the unit appears to be malfunctioning, read through the OPERATION section of this manual first. If the problem persists, check the Troubleshooting Guide below and on the following page. The problem could be something very simple that can be solved without a service call.

## Troubleshooting Guide

<b>Problem</b>	<b>Possible cause</b>	<b>Probable correction</b>
<b>The machine doesn't operate.</b>	The ice maker is unplugged.	Plug the ice maker in.
	The fuse is blown.	Replace fuse. If it happens again, call for service to check for a short circuit in the ice maker.
	The ice maker power switch is OFF.	Turn the ice maker power switch ON.
	The ice storage bin is full of ice.	Remove some ice. Make sure the water curtain and microswitch are closed.
<b>Water doesn't feed in after the ice maker starts.</b>	The water tap is turned off.	Turn on the water supply tap.
	The water supply line is not connected properly.	Reconnect the water supply line.
<b>Machine makes ice cubes, but ice storage bin does not fill up with ice.</b>	Condenser may be dirty.	Clean the condenser air filter.
	The air flow to the ice maker may be obstructed.	Check the installation.
	The ambient and water temperatures are high, or the machine is near some heat source.	Check the installation.
<b>Water is leaking from the unit.</b>	A few water drops fall to the floor when you open the door to take out ice from the ice storage bin.	Normal condensation on the door or some water together with ice. Take care when you take out ice.
	Water supply connection leaking.	Tighten fitting. See <i>Connecting the water line</i> .

<b>Problem</b>	<b>Possible Cause</b>	<b>Probable Correction</b>
<b>Cubes are partially formed or are white at the bottom.</b>	Not enough water in the water trough.	Check if water supply pressure is below 15 psig.
		Check water supply; filter may be restricted.
		Check for a leak at the water tank.
<b>Noise during operation</b>	The feet are not leveled and locked.	Check that ice bin is level; adjust if necessary.
	Certain sounds are normal.	See <i>Normal Sounds</i> .
<b>The ice maker stops suddenly while making ice.</b>	The electricity is off.	Reconnect the power supply line.
	The room temperature is out of the stated range.	Cut off the electricity; let the ice maker stop working until the temperature returns within the stated range.
	The ice storage bin is full of ice.	Remove some ice cubes. Make sure the water curtain and microswitch are closed.
<b>The body of the ice maker is electrified.</b>	The grounding line isn't in the socket.	Use a socket meeting the required electrical standard.
<b>Scaling occurs frequently inside the machine.</b>	The hardness of the water is too elevated.	Use a water-softening device installed before the water inlet.

## Limited Warranty

Franklin Industries, L.L.C., warrants this product to be free from defects in materials and workmanship for a period of one year from the date of the original purchase. Franklin also warrants the compressor for 5 years with a Parts-only warranty from the date of purchase. Any parts that are determined to be defective will be replaced or repaired, at its sole discretion, by Franklin Industries, L.L.C., at no charge as long as it has been determined that the unit was operated in accordance with the instructions attached or furnished with the product. If the unit proves to be defective, your first course of action should be to follow the retailer's return policy.

This warranty covers units only in the continental United States and does not cover the following:

- Damage from improper voltage or installation
- Damage in shipping
- Defects other than manufacturing defects
- Any installation expenses that may be incurred
- Labor or repairs after the initial 12-month period
- Damage from abuse, misuse, accident, alteration or lack of proper care or maintenance
- Improper or incorrectly performed maintenance or repairs
- Use of parts not recommended by Franklin Industries, L.L.C.
- Damage due to acts of God.

This limited warranty is given in lieu of all other warranties expressed or implied. This warranty does not cover incidental or consequential damages. Some States do not allow the exclusion or limitation of incidental or consequential damages, so the above limitation or exclusion may not apply to you.

This warranty provides you with specific legal rights and you may have other rights which vary from State to State. Consult the written materials accompanying your product for the safe and proper operation.

This warranty may not be assigned.

For warranty service, contact:

**Franklin Industries, L.L.C.**  
**4100 First Avenue**  
**Brooklyn, NY 11232-3321**  
**Tel.: 1-866-837-5277**  
**E-mail: [customerservice@franklinchef.com](mailto:customerservice@franklinchef.com)**

When service is required, have on hand the Model and Serial numbers found on the rating label on the side of the unit, as well as proof of purchase such as a sales or gift receipt.

# ÍNDICE

	Page
SEGURIDAD DE LA MÁQUINA DE HIELO .....	24
ADVERTENCIAS DE SEGURIDAD .....	25 ó 27
INTRODUCCIÓN .....	27
INFORMACIÓN TÉCNICA .....	28
UBICACIÓN DE COMPONENTES .....	29
INSTALACIÓN DE LA MÁQUINA.....	30 - 35
Desembalaje .....	30
Requisitos del lugar de instalación .....	30 - 31
Instalación típica del recipiente de almacenamiento de hielo .....	31 - 32
Requisitos de alimentación eléctrica.....	32 - 33
Conexión de la línea de alimentación eléctrica .....	33 - 34
Suministro de agua .....	34 - 35
Tipos de instalación .....	35
USO DE LA MÁQUINA .....	35 - 38
Lista de control final antes de la puesta en servicio .....	35
Método de operación .....	36
Cómo la máquina hace hielo .....	36 - 37
Sonidos normales .....	37 - 38
Preparación de la máquina para almacenamiento prolongado.....	38
LIMPIEZA Y MANTENIMIENTO.....	38 - 41
Limpieza del exterior .....	39
Limpieza del interior .....	39 - 40
Limpieza del tubo de distribución de agua .....	40
Limpieza del sistema de producción de hielo .....	40 - 41
Limpieza de las aletas del condensador .....	41
TABLERO DE CONTROL .....	42 - 43
DIAGNÓSTICO DE FALLAS .....	43 - 45
GARANTÍA LIMITADA .....	46

**Nos reservamos el derecho de efectuar modificaciones de diseño y de especificaciones técnicas, sin obligación de aviso previo.**

**AVISO: Los modelos FIM400, FIM600 y FIM1000 son unidades de hacer hielo y no incluyen recipientes de almacenamiento de hielo. Si pide un recipiente, siga las instrucciones de este manual y el manual que acompaña el recipiente con respecto a instalación, ajuste de las patas del recipiente de almacenamiento, limpieza, drenaje de agua, etc.**



# SEGURIDAD DE LA MÁQUINA DE HIELO

*Su seguridad y la seguridad de los demás es de suma importancia.*

Tanto en este manual como en la máquina, encontrará varios mensajes de importantes de seguridad. Lea y observe siempre los mensajes de seguridad.



Este es el símbolo de Alerta de Seguridad. Advierte sobre posibles riesgos que pueden causar accidentes lesivos e incluso fatales, tanto para usted como para los demás. Los mensajes se verán a continuación del símbolo de Alerta de Seguridad, junto con una de las siguientes palabras: "PELIGRO", "ADVERTENCIA" o "PRECAUCIÓN".



PELIGRO indica que el incumplimiento de la medida de seguridad podría causar lesiones personales graves e incluso la muerte.



ADVERTENCIA indica que el incumplimiento de la medida de seguridad podría causar daños al producto, lesiones personales graves e incluso la muerte.



PRECAUCIÓN indica que el incumplimiento de la medida de seguridad podría causar lesiones personales menores o moderadas, o daños materiales o al equipo.

Los mensajes de seguridad especificarán cuál es el peligro potencial, cómo reducir las posibilidades de accidentes y las consecuencias del incumplimiento de las instrucciones.

## INSTRUCCIONES IMPORTANTES DE SEGURIDAD

**ADVERTENCIA: Para reducir el riesgo de incendio, electrocución o lesiones accidentales al usar la máquina de hielo, observar las siguientes precauciones**

- Enchufar la máquina a un tomacorriente de 3 patas con descarga a tierra.
- No eliminar la pata de conexión a tierra.
- No usar un adaptador de 3 a 2 patas.
- No usar un cable de extensión para enchufar la máquina.
- Desconectar la alimentación eléctrica antes de limpiar la máquina.
- Desconectar la alimentación eléctrica antes de hacer mantenimiento.
- Colocar todos los paneles y tapas antes de poner la máquina en servicio.
- Mover e instalar la máquina al menos entre dos personas.

*CONSERVAR ESTAS INSTRUCCIONES*

## ADVERTENCIAS DE SEGURIDAD



Antes de usarse la máquina de hielo, debe situarse e instalarse debidamente, según se describe en este manual, así que lea el manual cuidadosamente. Franklin Industries recomienda enfáticamente que su máquina nueva sea instalada por un profesional. La garantía podrá ser afectada o anulada debido a una instalación incorrecta. Para disminuir el riesgo de incendio, electrocución o lesiones personales accidentales durante el uso de la máquina, es importante tomar ciertas precauciones elementales, tal como las siguientes:

### PELIGRO

- Es recomendable alimentar eléctricamente la máquina con un circuito exclusivamente dedicado a la misma. No usar un tomacorriente al que se pueda cortar la alimentación desde una llave de luz u otro interruptor común.
- No conectar o desconectar el enchufe eléctrico con las manos mojadas.
- Nunca desenchufar la máquina de hielo halando el cable eléctrico. Agarrar siempre el enchufe firmemente y halarlo directamente del tomacorriente.
- Nunca limpiar las piezas de la máquina de hielo con líquidos inflamables. No guardar ni usar gasolina u otros vapores y líquidos inflamables alrededor de éste o cualquier otro aparato. Los humos pueden crear un peligro de incendio o explosión.
- Antes de proceder con las operaciones de limpieza o mantenimiento, cerciorarse de que la línea eléctrica de la unidad está desconectada y que la línea de agua está cerrada. (EXCEPCIÓN: Cuando se limpia el sistema de producción de hielo, consultar las páginas 40 ó 41).
- Antes de operar, reponer todos los paneles de envoltura en su posición original.
- No tocar el evaporador con la mano cuando la máquina está en funcionamiento.
- Desenchufar la máquina de hielo o desconectar la electricidad antes de limpiar o dar servicio a la unidad. La falta de hacerlo podrá conducir a choque eléctrico o muerte.
- No intentar reparar o reemplazar cualquier pieza de su máquina de hielo salvo que sea específicamente recomendado en este manual. Todo trabajo de servicio adicional debe ser efectuado por un técnico calificado.

### ADVERTENCIA

- Mover e instalar la máquina entre dos personas como mínimo. Si lo hace una sola persona, hay riesgo de que se lesione por el esfuerzo excesivo.
- Para que la máquina tenga ventilación adecuada, no debe haber ninguna obstrucción en el frente de la misma. Elegir un lugar bien ventilado para instalarla, con temperaturas superiores a 50° F (10° C) e inferiores a 100° F (38° C). Esta máquina DEBE instalarse en un lugar protegido contra el viento, la lluvia y el goteo de agua.
- No instalar la máquina de hielo cerca de hornos, parrillas ni otros elementos que generen calor excesivo.

- Las conexiones eléctricas, de agua y de drenaje de la máquina de hielo, deben cumplir con todas las reglamentaciones vigentes que correspondan a nivel municipal y estatal. Se requiere un suministro eléctrico estándar de acuerdo con el placa en la máquina (o ver página 28, *Información Técnica*), con descarga a tierra instalada de acuerdo con el Código Eléctrico Nacional (*National Electrical Code*) y los reglamentos municipales.
- Asegurarse de que el cordón eléctrico no quede atrapado, retorcido ni presionado entre la máquina y otro objeto.
- El fusible o interruptor termomagnético de alimentación del circuito debe ser de 20 amperios de capacidad para FIM400 y 30 amperios para FIM600 y FIM1000..
- Para que la máquina funcione correctamente, es importante que esté bien nivelada. Podría ser necesario hacer varios ajustes de la posición hasta que quede correctamente nivelada.
- La instalación de plomería debe cumplir con los reglamentos municipales vigentes que correspondan.
- Tomar precauciones para no aplastar ni dañar las tuberías durante la instalación.
- Al terminar las conexiones, verificar que no hayan pérdidas en las tuberías.
- Si bien la máquina ha sido probada en fábrica, puede pasar mucho tiempo almacenada y en tránsito. Por ello, se debe desechar la primera partida de cubos de hielo.
- Quitar los materiales de embalaje y limpiar la máquina de hielo antes de usarla.
- Abrir el grifo de suministro de agua antes de encender la máquina de hielo. Nunca cerrar el grifo de suministro de agua cuando la máquina de hielo está funcionando.
- Excepto para sacar hielo del recipiente de almacenamiento, mantener la puerta del recipiente cerrada para reducir el derretimiento de hielo y promover la formación correcta de hielo.
- Cuando la máquina permanece sin usar durante un período prolongado, es necesario limpiarla bien antes de ponerla nuevamente en servicio. Siga atentamente las instrucciones suministradas para la limpieza y/o el uso de soluciones desinfectantes. Después de limpiar la máquina, no debe quedar absolutamente ningún residuo de solución de limpieza en su interior.
- NO tocar las aletas del condensador. Las aletas del condensador son filosas y además se pueden dañar con facilidad.
- NO usar productos de limpieza abrasivos ni con solventes en el interior de la máquina. Estos productos de limpieza pueden impregnar de olor los cubos de hielo y decolorar o dañar el interior de la unidad.
- El producto de limpieza para la máquina contiene ácidos. NO usarlo ni mezclarlo con ningún otro producto de limpieza que contenga solvente. Usar guantes de goma para protegerse las manos. Leer atentamente las instrucciones de seguridad para el manejo del material, que se encuentran en el envase del producto de limpieza de la máquina.
- No usar este artefacto para propósitos ajenos a su función original.

## ***CONSERVAR ESTAS INSTRUCCIONES***

### **Conexiones eléctricas**

#### **El modelo FIM400**

No cortar ni quitar por ningún motivo la pata de descarga a tierra del enchufe del cordón. Por razones de seguridad personal, esta máquina debe tener circuito de descarga a tierra. El cordón eléctrico de esta máquina tiene 3 patas, una de las cuales es la descarga a tierra, y debe enchufarse a un tomacorriente de 3 patas con circuito de tierra, a fin de reducir al mínimo las posibilidades de

electrocución accidental. Es conveniente hacer revisar por un electricista profesional el tomacorriente y el circuito del mismo para verificar que tengan descarga a tierra. Si el tomacorriente disponible para enchufar la máquina fuera uno de dos patas solamente, es responsabilidad del usuario cambiarlo por uno de tres patas con circuito de descarga a tierra.

### **Los modelos FIM600 y FIM1000**

Los dos de estos modelos requieren las entradas eléctricas de 230VCA y 60 Hz. Sus cordones de poder se equipan con enchufes que sólo quedarán salidas especializadas de alto-voltaje.

La máquina debe tener su tomacorriente individual, cuyo voltaje coincida con el especificado en la etiqueta o placa de datos de la misma. Esto no sólo es mejor para máquina, sino también para evitar sobrecargar los otros circuitos de la instalación, con el consiguiente riesgo de incendio por sobrecalentamiento de los cables. No desenchufar la máquina tirando del cordón. Tomar directamente el enchufe y tirar firmemente hacia afuera. Reparar o cambiar inmediatamente los cordones eléctricos quemados o dañados. No continuar usando un cordón eléctrico que esté agrietado o dañado en cualquier lugar. Tomar precauciones para no dañar el cordón eléctrico cuando se mueve la máquina de hielo.

### **Cable de extensión**

Por razones de seguridad, se recomienda enfáticamente no usar un cable de extensión para enchufar esta máquina.

## **Introducción**

La Máquina de Hielo Comercial Automática FIM400 de Franklin Chef® produce cubitos de hielo duros, totalmente transparentes de calidad gourmet hasta 400 lb al día. Este manual del usuario está diseñado como recurso para las personas que instalan, usan y dan servicio al modelo FIM400. Contiene información valiosa sobre seguridad y mantenimiento. Franklin Chef® recomienda enfáticamente que este manual se guarde en un lugar de fácil acceso cuando sea necesario. Cada Máquina de Hielo Franklin Chef® está diseñada y fabricada de acuerdo con las normas más altas de seguridad y desempeño. Cumple o excede la norma de seguridad de UL563 y norma higiénica NSF12.

Franklin Industries L.L.C. no asume ninguna responsabilidad por los productos que hayan sido modificados de cualquier manera, inclusive el cambio de partes y/o componentes por otras/otros que no sean específicamente aprobadas por Franklin Industries L.L.C. Franklin Industries se reserva el derecho de implementar en cualquier momento cambios de diseño y/o mejoras del producto. Las especificaciones técnicas y el diseño están sujetos a cambio sin obligación de aviso previo.

## Información Técnica

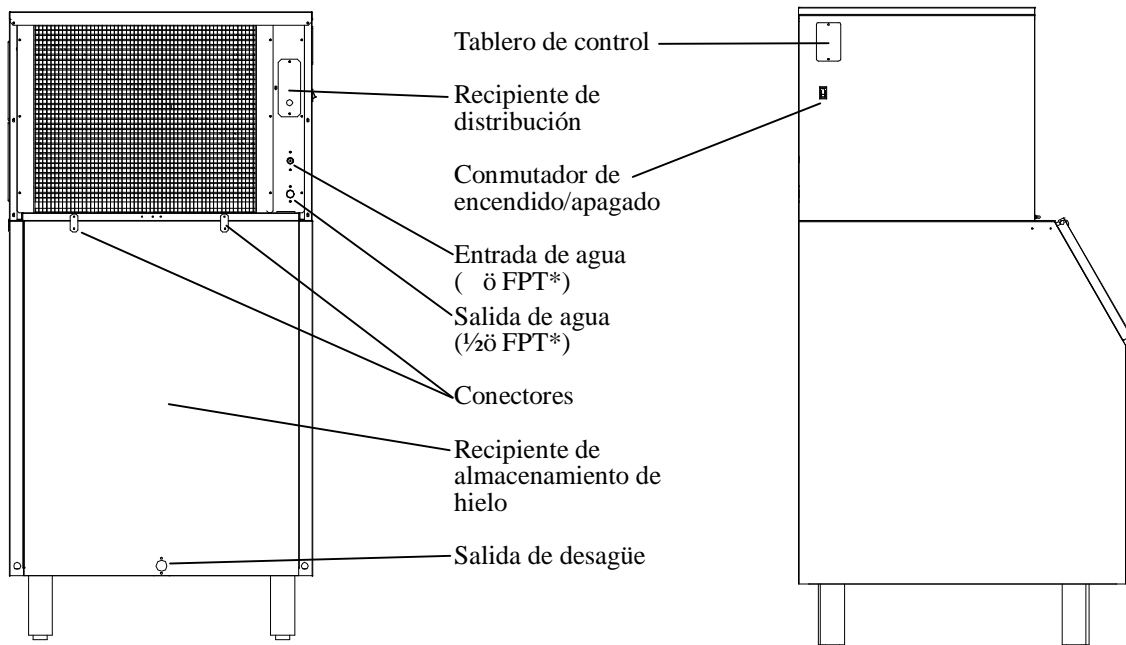
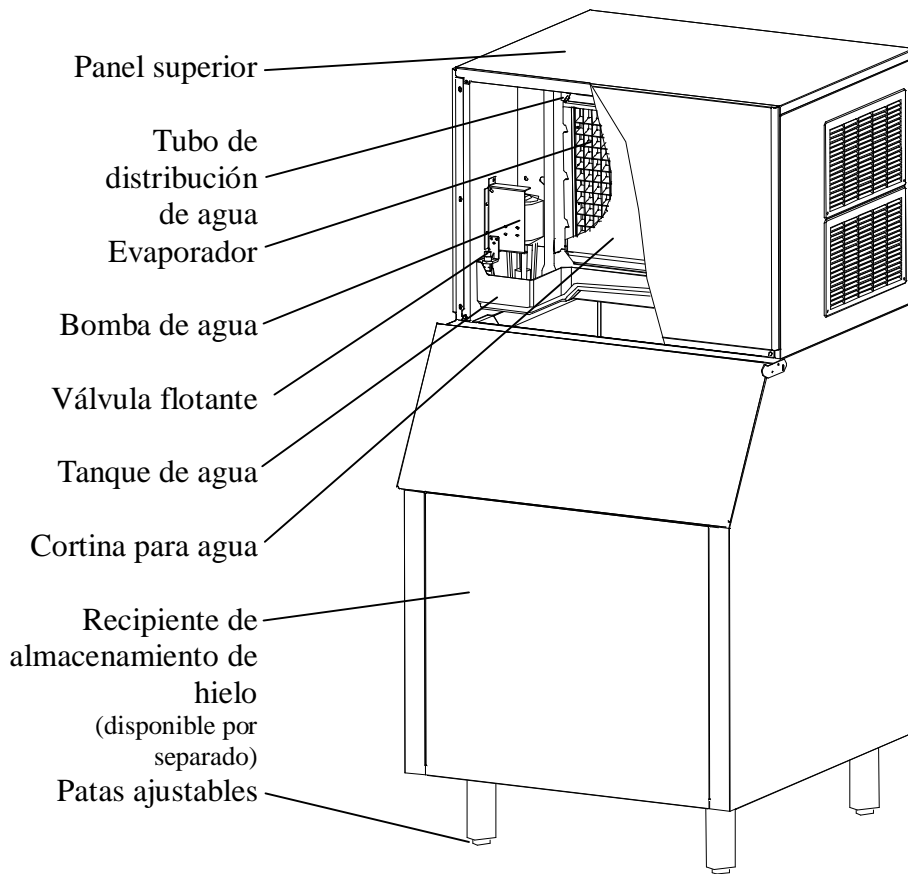
<b>Modelo</b>	<b>FIM400</b>	<b>FIM600</b>	<b>FIM1000</b>
<b>Alimentación eléctrica</b>	115VCA ~ 60Hz	230VCA ~ 60Hz	230VCA ~ 60Hz
<b>Consumo de Energía</b> (kW•h / 100 lb de hielo)	8.3	8.2	7.8
<b>Corriente de producción/ recuperación de hielo</b>	12.4A /15.3A	7.6A /9.85A	9.2A /11.3A
<b>Refrigerante</b>	R404a, 24.5 oz.	R404a, 45.8 oz.	R404a, 52.9 oz.
<b>Presión lateral alta/baja</b>	350psig/190psig	380psig/190psig	400psig/190psig
<b>Ancho x Fondo x Altura de la unidad</b>	30ö x 24ö x 20 (762 x 610 x 530 mm)	30ö x 24ö x 20 (762 x 610 x 530 mm)	30ö x 24ö x 26 (762 x 610 x 683 mm)
<b>Peso de la unidad</b>	130 lb máximo (59,1 kg)	155 lb máximo (70,5 kg)	194 lb máximo (88,2 kg)
<b>Capacidad de producción de hielo</b>	400 lb/día* (181,8 kg)	600 lb/día* (272,7 kg)	1000 lb/día* (454,5 kg)
<b>Forma del hielo</b>	Cubito	Cubito	Cubito
<b>Dimensiones de los cubitos de hielo</b>	¾" x 1" x ¾" (19 x 25 x 19 mm)	¾" x 1" x ¾" (19 x 25 x 19 mm)	¾" x 1" x ¾" (19 x 25 x 19 mm)
<b>Temperaturas del ambiente para mejor operación</b>	50°F - 100°F (10°C - 38°C)	50°F - 100°F (10°C - 38°C)	50°F - 100°F (10°C - 38°C)
<b>Gama óptima de la temperatura de agua que entra</b>	41°F - 90°F (5°C - 32°C)	41°F - 90°F (5°C - 32°C)	41°F - 90°F (5°C - 32°C)

\*La cantidad real de hielo producida por día podrá variar de acuerdo con las condiciones de la habitación y el agua.

Los datos técnicos e índices de desempeño arriba indicados deben usarse para referencia solamente. Están sujetos a cambio.

Este producto ha sido sometido a prueba y está certificado en cumplimiento con la norma NSF 12 por NSF Internacional.

## Ubicaciones de los componentes



\*Rosca femenina del tubo

# INSTALACIÓN DE LA MÁQUINA

## Desembalaje



## ADVERTENCIA

### Peligro de peso excesivo

Usar dos o más personas para mover e instalar la máquina de hielo. La falta de hacerlo podrá conducir a lesión de la espalda u otra lesión.

*Esta unidad es una máquina de hielo solamente. Exige un recipiente de almacenamiento de hielo por separado.*

### Quitar los materiales de embalaje

*IMPORTANTE: No quitar las etiquetas fijas de instrucciones ni la etiqueta de datos de la máquina de hielo.*

Quitar las cintas adhesivas y residuos de adhesivo antes de poner en servicio la máquina.

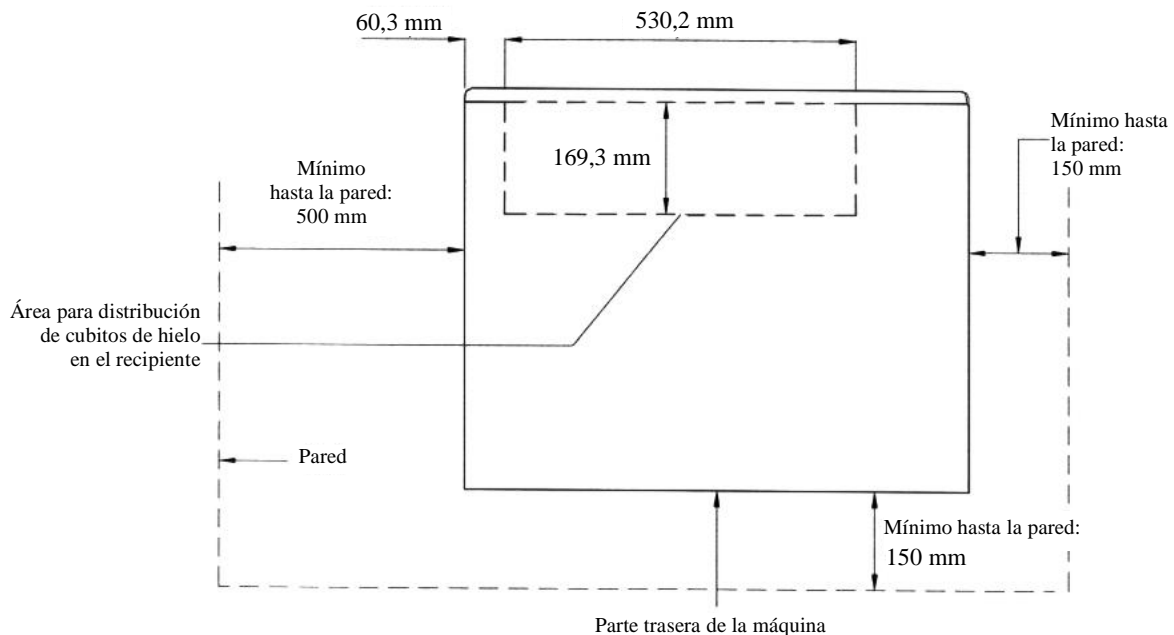
- Para ello, frotar enérgicamente con los dedos, en seco o con una solución de agua y detergente. Después limpiar con agua tibia y secar la superficie.
- No usar instrumentos filosos, alcohol, fluidos inflamables ni productos abrasivos de limpieza para quitar cinta adhesiva o residuos de adhesivo. Estos productos pueden dañar la superficie de la máquina.

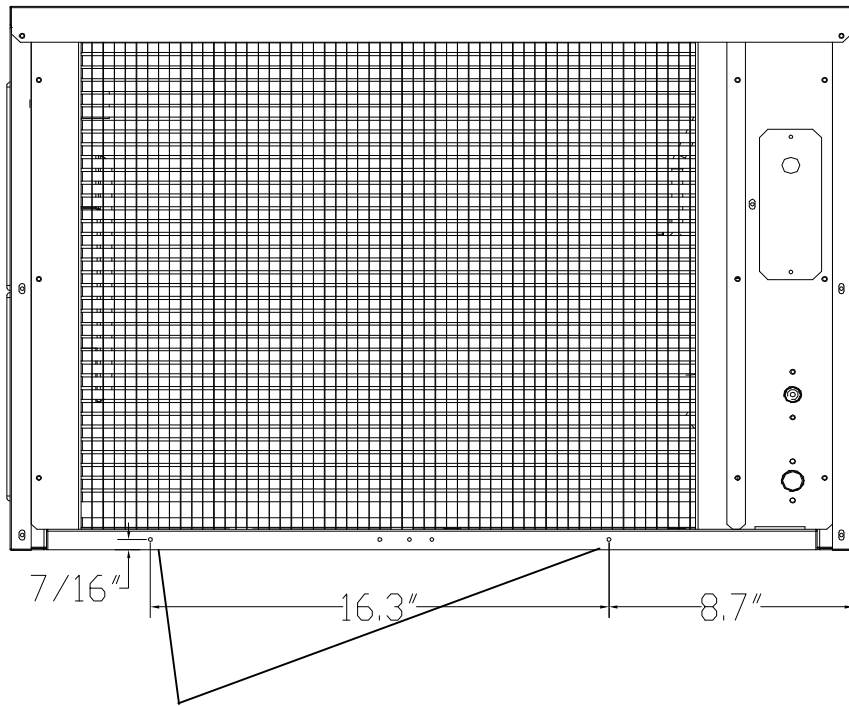
### Requisitos del lugar de instalación

- Esta máquina de hielo debe ser instalada por personal calificado.

### Espacio de Instalación

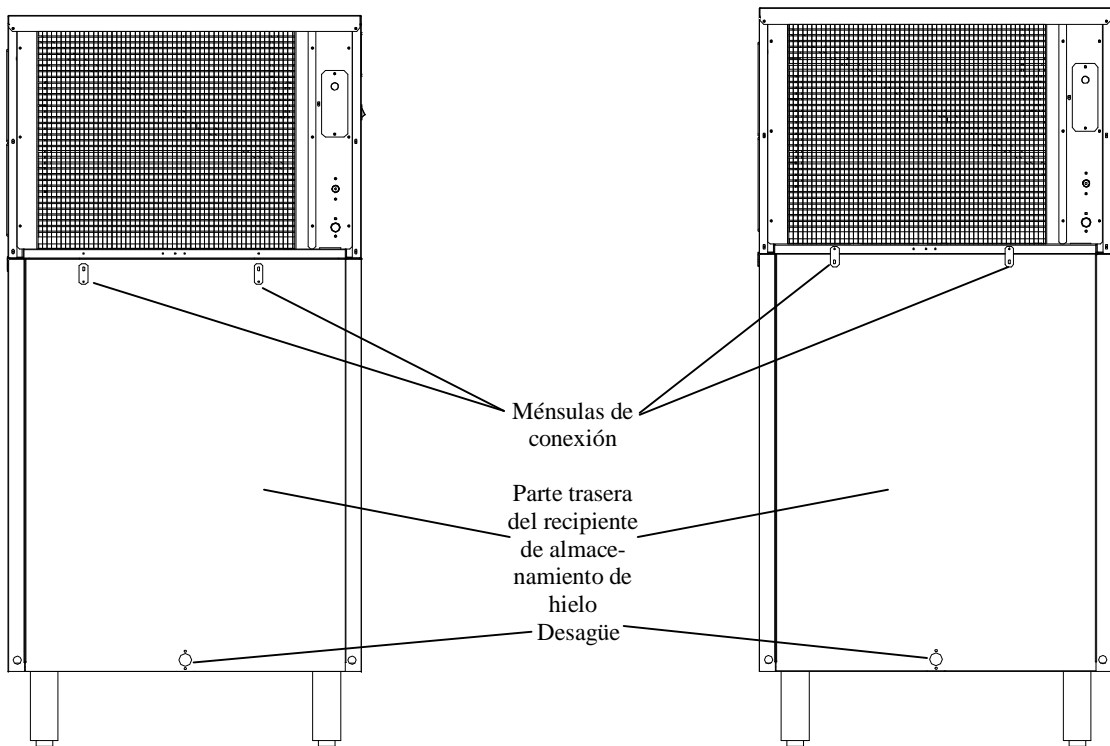
#### VISTA SUPERIOR





VISTA TRASERA

Los dos agujeros son para sujeción al recipiente de almacenamiento de hielo. Ver los dibujos abajo.




***Instalación típica del recipiente de almacenamiento de hielo***

Hay dos ménsulas de conexión sujetadas al borde superior trasero del recipiente de almacenamiento de hielo. Gire las ménsulas hacia arriba (180°) y use dos tornillos para conectar la máquina principal al recipiente de almacenamiento de hielo.

- Para que la máquina tenga ventilación adecuada, no debe haber ninguna obstrucción en el frente de la misma.



- Elegir un lugar bien ventilado para instalarla, con temperaturas superiores a 50°F (10°C) e inferiores a 100°F (38°C). Esta máquina DEBE instalarse en un lugar protegido contra el viento, la lluvia y el goteo de agua.
- No instalar la máquina de hielo cerca de hornos, parrillas ni otros elementos que generen calor excesivo.
- El suministro de agua fría debe llegar por medio de un tubo de cobre de 9,5 mm ( 3/8"), con válvula de paso.
- La máquina de hielo necesita un suministro de agua continuo con una presión mínima de 15 psig y una presión estática que no debe exceder 80 psig. La temperatura del agua alimentada a la máquina de hielo debe ser entre 41° F (5° C) y 90° F (32° C) para operación correcta.




ADVERTENCIA


La temperatura ambiente normal de servicio debe ser entre 50° F (10° C) y 100° F (38° C). La temperatura normal del agua debe ser entre 41° F (5° C) y 90°F (32° C). Si la máquina funciona por períodos prolongados fuera de estos valores de temperatura, se verá afectado su rendimiento.

- Normalmente es conveniente filtrar el agua que se suministra a la máquina. Un filtro adecuado para este tipo de servicio puede eliminar del agua olores, gusto y partículas suspendidas
- Las conexiones eléctricas, de agua y de drenaje de la máquina de hielo, deben cumplir con todas las reglamentaciones vigentes que correspondan a nivel municipal y estatal.
- La máquina de hielo y el recipiente deben situarse sobre una superficie firme y nivelada. Es importante que la máquina de hielo esté perfectamente nivelada para operación correcta; de otra manera, es posible que el agua no fluya correctamente a través del evaporador (molde de hielo). La producción de hielo será menos de lo previsto y la operación será ruidosa.

Las patas de la mayoría de los recipientes pueden girarse para ajustar la altura, de ser necesario. Siga las instrucciones que acompañan el recipiente que adquiere.

### *Requisitos de alimentación eléctrica*


PELIGRO




Peligro de electrocución

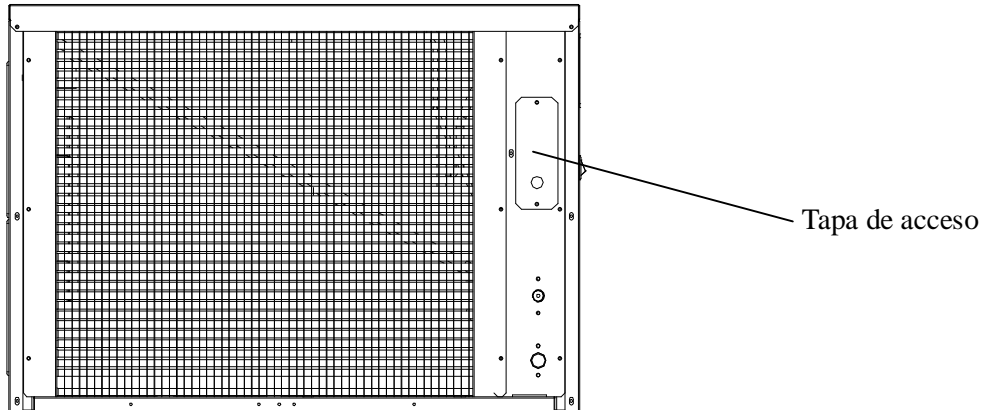
- Enchufar la máquina a un tomacorriente de 3 patas con descarga a tierra.
- No eliminar la pata de conexión a tierra del enchufe.
- No usar un adaptador de 3 a 2 patas.
- No usar un cable de extensión para enchufar la máquina.
- El incumplimiento de estas instrucciones podría causar un accidente fatal, incendio o electrocución.

Antes de trasladar la máquina a su lugar definitivo de instalación, verificar que la alimentación eléctrica sea la que corresponda. Refiérase al placa en el lado izquierdo de la máquina (o vea página 28, *Información Técnica*) para verificar que el voltaje apropiado, descargado apropiadamente a tierra de acuerdo con el Código Eléctrico Nacional (*National Electrical Code*) y los códigos y las ordenanzas locales, se suministran. La máquina de hielo siempre debe estar enchufada en su propio tomacorriente individual. Es recomendable alimentar eléctricamente la máquina con un circuito exclusivamente dedicado a la misma. No usar un tomacorriente al que se pueda cortar la alimentación desde una llave de luz u otro interruptor común. El fusible o interruptor termomagnético de alimentación del circuito debe ser de 20 amperios de capacidad para el modelo FIM400, y 30 amperios para los modelos FIM600 y FIM1000.

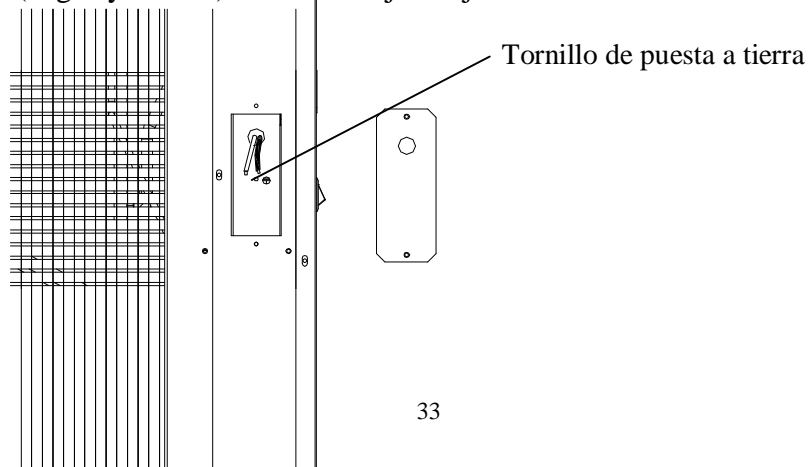
### **Circuito de descarga a tierra**

Por razones de seguridad personal, esta máquina debe tener circuito de descarga a tierra. Para el modelo FIM400, el cable de alimentación eléctrica (no incluido) debe tener un enchufe de puesta a tierra de 3 patas. Para reducir al mínimo las posibilidades de electrocución, el enchufe se debe conectar a un tomacorriente de 3 patas con circuito de descarga a tierra instalado de acuerdo con el Código Eléctrico Nacional (*National Electrical Code*) y los reglamentos municipales que correspondan. Si el tomacorriente disponible no tuviera tercera pata de descarga a tierra, es responsabilidad del usuario cambiarlo y hacer instalar un circuito de descarga a tierra con un electricista profesional. Los modelos FIM600 y FIM1000 requieren un cordón, un enchufe y una toma de corriente destinados para un circuito de 230VCA.

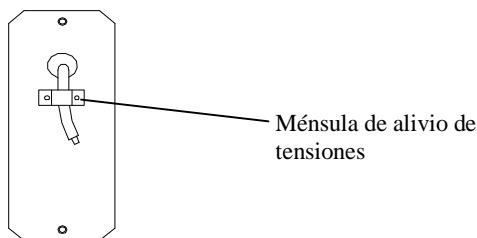
### ***Conexión de la línea de alimentación eléctrica***



1. Desenroscar los dos tornillos que sujetan la tapa de acceso y quitar la tapa. Encontrará dos conductores (negro y blanco). Ver el dibujo abajo.



2. Tender un cable de alimentación eléctrica (no incluido) a través de la tapa de acceso y conectarlo con los dos conductores. La línea a tierra debe conectarse al tornillo de puesta a tierra. Los dos conectores deben aislarse. Reponer la tapa de acceso en posición.



3. Encontrará una ménsula de alivio de tensiones en el paquete de accesorios. Conectar el cable de alimentación eléctrica debajo de la ménsula, según se muestra en la ilustración arriba.
4. El otro extremo del cable de alimentación eléctrica debe conectarse a un tomacorriente que cumple los requisitos del código eléctrico local.

**NOTA: Su máquina puede ser amontonada en cualesquiera máquinas de hacer hielo de Franklin Chef® mencionadas en este manual. Si la máquina deberá ser amontonada encima de otra máquina, un juego para amontonar debe ser instalado. Refiérase a las instrucciones de instalación incluidas con el juego para amontonar.**

### ***Suministro de agua***

El suministro de agua debe estar listo en el punto de instalación. La presión del suministro de agua debe ser un mínimo de 15 psig con una presión estática de no más de 80 psig. (Una toma de agua de pared directamente detrás de la máquina de hielo facilitará la instalación).

#### ***IMPORTANTE:***

1. *Es extremadamente importante para el funcionamiento apropiado y para la pureza y el sabor del hielo que se use un filtro de agua cuando se instala la máquina. Usar un filtro de agua protegerá su máquina y prevendrá impedimentos que resultan de minerales excesivos en el agua.*
2. *La instalación de plomería debe cumplir con los reglamentos municipales vigentes que correspondan.*
3. *Entrada de agua: 3/8" FPT (Rosca femenina del tubo); conexión de la línea de drenaje: 1/2" FPT*
4. *Tomar precauciones para tener mangueras de suministro de agua y de drenaje apropiadas y para no aplastar ni dañar las mangueras durante la instalación.*
5. *Al terminar las conexiones, verificar que no hayan pérdidas en las tuberías.*

**Herramientas necesarias:** Llave de boca abierta de " , destornillador Phillips

#### **Conexión de la línea de agua:**

1. Cortar el paso de agua en la línea principal. Abrir la canilla más cercana para dejar salir toda el agua que haya quedado en la línea.
2. Buscar un tramo vertical de tubería de agua fría de 1/2" a 3/4" cerca del lugar de instalación. La distancia debe ser menos que la longitud de la manguera de suministro de agua.
3. Instalar una válvula de paso en la línea de suministro de agua.
4. Conectar las tuercas de la manguera de suministro de agua al grifo y válvula de admisión de

- agua. Apretar firmemente a mano y luego una media vuelta con una llave.
5. Conectar la manguera de drenaje al conexión de la línea de drenaje. Apretar firmemente a mano y luego una media vuelta con una llave.
  6. Abrir el paso en la línea de agua y abrir la válvula de suministro de agua a la máquina. Verificar que las conexiones no tengan pérdidas. Si hubieran pérdidas, ajustar bien todas las conexiones (inclusive las de la válvula y de drenaje) y tuercas.

### ***Tipos de instalación***

Esta máquina de hielo sólo está diseñada para instalación autónoma. Una instalación autónoma le permitirá instalar la máquina de hielo en cualquier lugar que desee, siempre que tenga acceso a una fuente de agua. Debe haber espacio adecuado alrededor de la unidad para fines de ventilación. (Ver la página 30). Debe seguir las instrucciones indicadas de:

- a. Requisitos eléctricos
- b. Suministro de agua
- c. Drenaje

### **Limpieza antes del uso**

Después de quitar toda la cinta de la máquina, limpiar el interior de su máquina de hielo y recipiente de almacenamiento de hielo antes de usarlos. Ver "Limpieza del interior" en la sección titulada *Limpieza y Mantenimiento*.

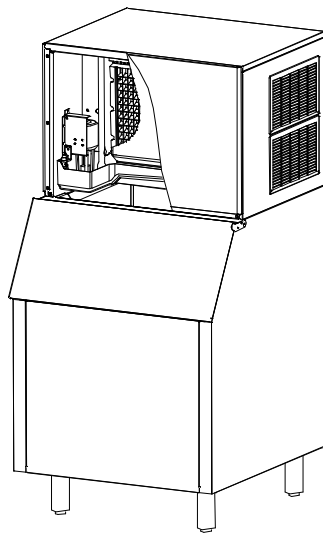
## **USO DE LA MÁQUINA**

### ***Lista de control final antes de la puesta en servicio***

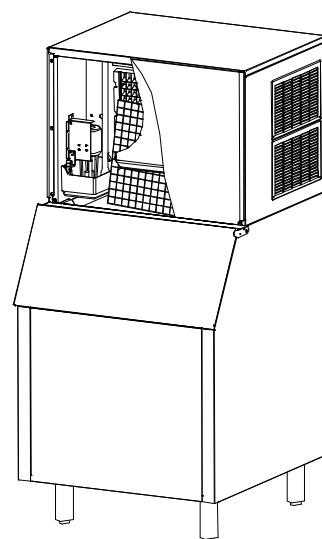
1. ¿Se han quitado todos los materiales de embalaje y cintas adhesivas del interior y exterior de la máquina?
2. ¿Se ha limpiado el recipiente de hielo?
3. ¿Se han seguido todos los pasos de instalación, inclusive los concernientes a las conexiones de agua y electricidad?
4. ¿Se ha nivelado la máquina?
5. ¿La temperatura ambiente en el sitio de instalación de la máquina se mantiene entre 10°C (50°F) y 38°C (100°F) durante todo el año? Igualmente, ¿se mantiene la temperatura del agua corriente entre 5°C (41°F) y 32°C (90°F)?
6. ¿Se ha verificado que la presión del agua sea como mínimo 15 psig y como máximo 80 psig?
7. ¿Se ha dejado una separación mínima de 150 mm (6 pulgadas) en la parte de atrás y de 150 mm (6 pulgadas) a los lados, para que haya suficiente circulación de aire?
8. ¿Se ha medido el voltaje de alimentación para verificar que cumpla con las especificaciones de la máquina? ¿Se ha verificado que la máquina esté conectada a un circuito de descarga a tierra?
9. ¿Está enchufada la máquina?
10. ¿Se encuentra abierta la válvula de paso de suministro de agua?
11. ¿Se ha comprobado que no hayan pérdidas en las conexiones de las tuberías de entrada de agua y salida de drenaje?

### ***Método de operación***

1. Abrir el grifo de agua; entra agua en el tanque de agua. Luego, encender el conmutador de encendido/apagado; se enciende el indicador LED rojo del conmutador.
2. Después de 3 minutos, la máquina de hielo procederá automáticamente a la etapa de producción de hielo y se escuchará el sonido de agua corriente.
3. Cuando se haya formado plenamente un lote de hielo, se depositará automáticamente en el recipiente de almacenamiento de hielo.
4. Cuando el recipiente de almacenamiento de agua está lleno, la hoja de cubitos no caerá totalmente. La cortina para agua abre y mantiene abierto el microinterruptor. La máquina está en la etapa de recipiente lleno.
5. La unidad comenzará a hacer hielo de nuevo después de quitarse los cubitos de hielo. Al mismo tiempo la cortina para agua se cierra para mantener el microinterruptor a la posición de operación.



Etapa de producción de hielo



Etapa de almacenamiento de hielo

### ***IMPORTANTE:***

- *Si bien la unidad se ha sometido a prueba y se ha limpiado en la fábrica, debido al tránsito y almacenamiento prolongados, debe desecharse el primer lote de cubitos.*
- *Nunca cerrar el grifo de suministro de agua cuando la máquina de hielo está en funcionamiento.*
- *Nunca tocar el evaporador cuando la máquina está en funcionamiento.*
- *Excepto para sacar hielo de la unidad, mantener cerrada la puerta del recipiente para reducir el derretimiento de hielo y asegurar la formación correcta de hielo.*

### ***Cómo la máquina hace hielo***

Poner el conmutador de encendido/apagado en la posición de encendido. Después de unos 3 minutos, la máquina pasará automáticamente a la etapa de producción de hielo.

Hay dos ciclos claramente distintos: congelación y almacenamiento. Durante el ciclo de congelación, fluye agua hasta la superficie del evaporador. En el ciclo de almacenamiento, el

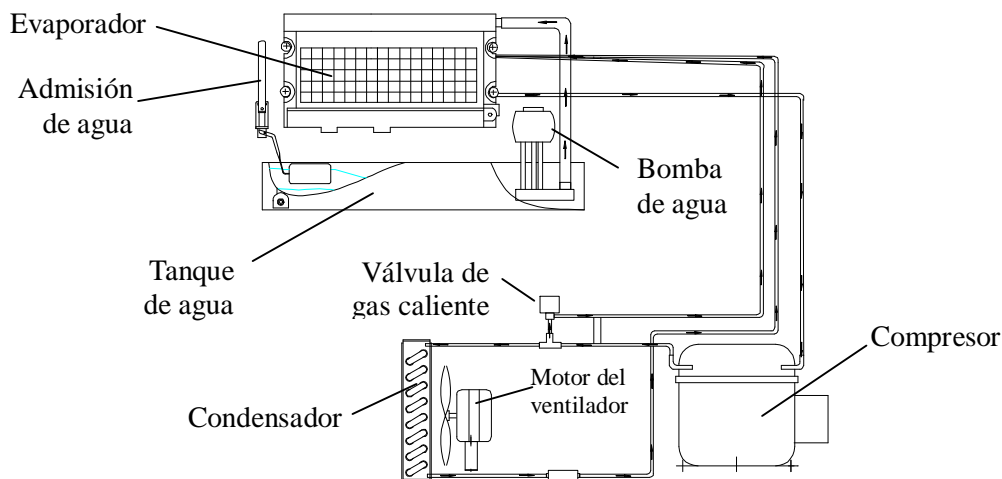
hielo se suelta y entra agua en la máquina. Un ciclo completo (ciclo de congelación y ciclo de almacenamiento) tarda de 15 a 40 minutos, dependiendo de la temperatura y condiciones de operación.

**Congelación:** Durante el ciclo de congelación, el compresor bombea refrigerante, el motor del ventilador sopla aire y la bomba de agua bombea agua. Cuando se haya formado plenamente el lote de hielo, la máquina de hielo detiene el ciclo de congelación y comienza el ciclo de almacenamiento.

**Almacenamiento:** Durante el ciclo de almacenamiento, el compresor sigue funcionando, y la alimentación se suministra a las válvulas de purga de agua y de gas caliente. La válvula de purga de agua abre y permite que la bomba de agua purgue el agua que permanece en el tanque de agua, quitando todas impurezas y el sedimento. Esto permite que la máquina aclare los cubitos de hielo y mantenga el aumento mineral en un mínimo. Entonces la bomba de agua para. Cuando la válvula de gas caliente abre, permite que el gas caliente vaya directamente al evaporador. El gas calienta el evaporador, haciendo que los cubitos se deslicen del evaporador y pasen al recipiente de almacenamiento. El ciclo de congelación comenzará de nuevo cuando todos los cubitos se hayan caído dentro del recipiente.

### **Cómo la máquina usa agua:**

La máquina de hielo comienza con una carga fija de agua contenida en el tanque de agua. A medida que fluya agua hacia la superficie congelada del evaporador, el agua se congela y se adhiere a los moldes de cubitos de hielo. Durante el proceso de producción de agua, entra agua limpia dentro del tanque de agua continuamente a medida que el agua del tanque se congela continuamente sobre el evaporador.



### **Sonidos normales**

La máquina de hielo emite algunos sonidos que aunque parezcan extraños, son parte de su funcionamiento normal. Las superficies duras como el piso y las paredes pueden amplificar los sonidos. A continuación se describen los sonidos a los que el usuario podría no estar acostumbrado y la causa de los mismos.

- Podría escucharse un ruido vibratorio, que es causado por la circulación de gas refrigerante o de agua. Si hay objetos colocados sobre la máquina, también podrían hacer ruido.

- El compresor de alto rendimiento podría hacer un ruido pulsante o agudo.
- El agua corriente puede emitir un sonido de salpicadura.
- También podría escucharse el sonido de la circulación de aire por el condensador.
- Durante el ciclo de recolección, se escuchará el ruido de los cubos de hielo cayendo en el recipiente.

### ***Preparación de la máquina para almacenamiento prolongado***

Si la máquina no se usará por un tiempo largo o será trasladada a otro lugar, es necesario vaciar el circuito de agua.

1. Cerrar el paso de la línea principal de agua corriente.
2. Desconectar la tubería de la válvula de entrada de agua.
3. Presione el botón Clean (*Limpiar*) y manténgale fijo por seis segundos. La máquina entrará automáticamente el modo de drenaje de agua, con los indicadores de cosecha y de haciendo de hielo que parpadean, hasta que el agua en el tanque se haya limpiado completamente por el drenaje. Después del drenaje, los LEDs indicadores de cosecha y de haciendo de hielo estarán activados. El proceso de drenaje para.
4. Apagar la corriente eléctrica en la fuente de alimentación principal.
5. Secar el tanque de agua.
6. Quitar todos los cubitos de hielo del recipiente de almacenamiento y secarlo.
7. Abrir la puerta para facilitar la circulación de aire y evitar la formación moho.
8. Dejar la línea de agua y el cordón eléctrico desconectados hasta que la máquina esté lista para entrar nuevamente en servicio.

#### ***IMPORTANTE:***

- *No tocar el enchufe eléctrico con las manos mojadas.*
- *Nunca desenchufar la unidad halando el enchufe.*

## **LIMPIEZA Y MANTENIMIENTO**

### **PRECAUCIÓN**

Si la máquina de hielo se deja sin usar durante un período prolongado, antes del siguiente uso, debe limpiarse minuciosamente. Seguir cuidadosamente las instrucciones provistas para la limpieza o uso de solución desinfectante. Asegurarse de que no queden residuos de la solución de limpieza en el interior de la máquina.

La limpieza periódica y mantenimiento regular asegurará la eficiencia, desempeño óptimo y vida prolongada. Los intervalos de mantenimiento indicados se basan en condiciones normales. Se le recomienda reducir los intervalos si tiene animales domésticos o existen otras condiciones especiales.

### **¿Qué no debe hacerse?**

Nunca guardar nada excepto por hielo en el recipiente de almacenamiento de hielo: los objetos tales como botellas de vino y cerveza no están desinfectados y las etiquetas pueden desprenderse y obturar el desagüe.

### **¿Qué debe mantenerse limpio?**

Hay 5 elementos que deben mantenerse limpios:

1. El exterior
2. El interior
3. El tubo de distribución de agua
4. El sistema de producción de hielo
5. Las aletas del condensador



## **ADVERTENCIA**

Antes de proceder con la limpieza y el mantenimiento, verificar que esté cortada la alimentación eléctrica a la unidad y que esté cerrado el paso de agua. (EXCEPCION: Limpieza del sistema para hacer hielo.)

### ***Limpieza del exterior***

El exterior de la máquina de hielo y el recipiente de almacenamiento de hielo puede limpiarse con un paño suave o esponja humedecida con una solución de detergente suave y agua tibia, por ejemplo, 1 oz de líquido de fregar mezcladas con 2 galones de agua. Nunca usar agentes de limpieza a base de disolvente o abrasivos. Enjuagar con agua limpia. Secar con una toalla limpia suave para evitar manchas de agua.

### ***Limpieza del interior***

Limpiar el tanque de agua antes de usarse la máquina de hielo por primera vez y cuando se reutiliza después de un período prolongado. Por lo general, es conveniente desinfectar el tanque después de limpiarse el sistema de producción de hielo y el recipiente de almacenamiento de hielo está vacío. El recipiente de almacenamiento de hielo debe desinfectarse ocasionalmente. Seguir estos pasos para limpiar el tanque y el recipiente:

1. Desconectar la corriente eléctrica a la unidad.
2. Quitar el panel delantero de la máquina de hielo.
3. Usando una solución desinfectante hecha de 1 onza de lejía doméstica y 2 galones de agua caliente (95° a 115°F), limpie el tanque de agua y el interior del recipiente de almacenamiento de agua con un paño limpio. Para limpiar las esquinas de acceso difícil, aplicar la solución desinfectante con un frasco rociador.
4. Enjuagar minuciosamente con agua limpia. Esto completa la limpieza interior de la máquina de hielo y recipiente de almacenamiento.
5. Conectar de nuevo la electricidad a la unidad.





## ADVERTENCIA

NO USAR agents de limpieza a base de disolventes o abrasivos en el interior. Estos limpiadores pueden transitar sabor al hielo o dañar o descolorar el interior.

### ***Limpieza del tubo de distribución de agua***

Cuando determina que los cubitos de hielo no se hayan formado completamente o la producción de cubitos de hielo es baja, puede estar obturado el tubo de distribución de agua. Poner el conmutador de encendido/apagado en OFF. Desenroscar el panel superior y el delantero. Verá el tubo de distribución de agua. Girar el tubo de distribución de agua de modo que los agujeros que contiene apunten hacia arriba. Usando un palillo o herramienta similar, limpiar los agujeros, luego girar el tubo de agua de nuevo a su posición original. Si el tubo está intensamente obturado, limpiarlo de la siguiente manera:

1. Cerrar el suministro de agua y apagar la corriente eléctrica.
2. Desconectar la manguera de agua del tubo de distribución.
3. Levantar un lado y quitar el tubo de distribución.
4. Con un cepillo, limpiar el tubo con una solución diluida de agua tibia y un detergente suave, por ejemplo, líquido de fregar. Después de quitar la suciedad y pelusa de la superficie, enjuagar el tubo con agua limpia.
5. Reemplazar el tubo de distribución.
6. Conectar de nuevo la línea de suministro de agua y corriente eléctrica.
7. Reconectar el panel superior y delantero.

### ***Limpieza del sistema de producción de hielo***


Con el tiempo, los minerales eliminados del agua durante el ciclo de congelación formarán un depósito duro y escamoso en el sistema de agua. La limpieza regular del sistema ayuda a remover la acumulación de escamas minerales. La frecuencia de la limpieza del sistema depende de la dureza de su agua o la eficacia de su filtración. Con agua dura de 15 a 20 granos/galón (4 a 5 granos/litro), podrá necesitar limpiar el sistema cada 3 meses.

1. Quitar el panel delantero de la máquina de hielo.
2. Cerciórese que ningún hielo permanece en el evaporador. Si hielo se hace, inicie la cosecha o espere la terminación del ciclo, entonces apague la máquina al conmutador de encendido/apagado.
3. Quitar todos los cubitos de hielo del recipiente de almacenamiento.
4. Mantener la máquina de hielo conectada al suministro de agua. Verter 8 oz de solución de Limpieza de Máquina de Hielo Compatible con Níquel dentro del tanque de agua.
5. Encender el conmutador de encendido/apagado. Dentro de 3 minutos, oprimir el botón de Limpiar. La máquina entrará automáticamente en el modo de limpieza.
6. El ciclo de limpieza del sistema de producción de hielo continuará durante 30 minutos, salvo que oprima el conmutador de encendido/apagado (podrá oprimir el conmutador de encendido/apagado para detener el ciclo de limpieza en cualquier momento durante los

30 minutos). Después de la limpieza, el LED indicador de almacenamiento y LED indicador de producción de hielo estarán encendidos. El proceso de limpieza se detiene.

7. Repetir los pasos 4 y 5 más arriba tres veces para enjuagar minuciosamente el sistema de producción de hielo. Esto completará la limpieza del sistema de producción de hielo. (NOTA: No añadir Solución de Limpieza de Máquina de Hielo al tanque de agua durante los enjuagues).
8. Realizar los pasos 3 y 4 en la sección de *Limpieza del interior*.
9. Si desea hacer cubitos de hielo después de la limpieza, apagar el conmutador de encendido/apagado, luego encender el conmutador de encendido/apagado. Comenzará el siguiente ciclo de producción de hielo.
10. Desechar el primer lote de hielo.

**NOTA: Si usted aprieta el conmutador principal para parar la limpieza durante el ciclo de limpiar, alguna agua de desecho puede permanecer en el tanque de agua. Apriete el botón *Clean* y lo detenga más de 6 segundos. La máquina entrará el modo de drenaje y el agua de desecho se desaguará.**

**ADVERTENCIA**

El limpiador de la máquina de hielo contiene ácidos.

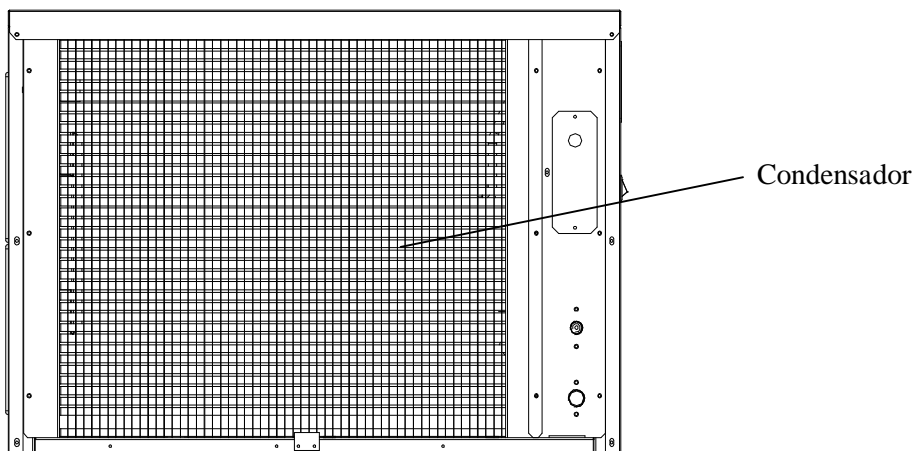
NO usar ni mezclar con cualquier otro producto de limpieza a base de disolvente.

Usar guantes de goma para proteger las manos. Leer cuidadosamente las instrucciones de seguridad de materiales en el envase del limpiador de máquina de hielo.

DESECHAR el primer lote de hielo producido después de la limpieza.

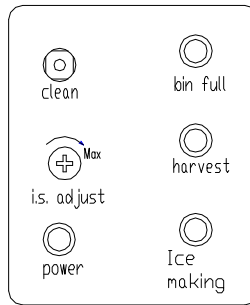
### ***Limpieza de las aletas del condensador***

1. Ver el dibujo abajo.



2. El condensador refrescado de aire debe ser limpiado con aspiradora un par de veces por año para quitar cualquier pelusa que se puede haber aspirado. Use una herramienta puntiaguda como un palillo de dientes para quitar cualquier pelusa que adhiere a las aletas del condensador.

## Tablero de Control (en el lado izquierdo de la máquina)



Encontrará el panel de control en el lado izquierdo de la máquina. Este panel incluye un botón, un tornillo ajustable y cuatro LED indicadores.

### Operación del panel de control:

1. Cuando la unidad está enchufada y el conmutador de encendido/apagado se enciende, el indicador y las tres luces indicadoras están todas encendidas.
2. Después de tres minutos para la entrada de agua, la máquina de hielo comenzará automáticamente a producir hielo. Sólo estarán encendidos el indicador de encendido/apagado y el de producción de hielo.
3. Durante el almacenamiento, la luz indicadora de almacenamiento está encendida y la luz indicadora de producción de hielo está apagada. Cuando el recipiente de almacenamiento de hielo está lleno, sólo el indicador de recipiente lleno e indicador de encendido/apagado están encendidos.
4. Si se oprime el botón de Limpiar (*Clean*) durante el modo de producción de hielo o de coseche, la máquina no lo hará caso. Continuará la producción de hielo o la coseche.
5. Cuando desea limpiar la máquina, apagar primero el conmutador de encendido/apagado y luego encenderlo de nuevo. Oprimir el botón de Limpiar dentro de 3 minutos y la máquina de hielo iniciará el modo de limpieza, con los indicadores de almacenamiento y producción de hielo parpadeando. Después de 30 minutos, el modo de limpieza se detiene y los indicadores de almacenamiento y de producción de hielo permanecen encendidos. Si desea reiniciar el proceso de producción de hielo después de la limpieza, apagar el conmutador de encendido/apagado, luego encenderlo de nuevo y la máquina entrará automáticamente en el ciclo de producción de hielo.
6. Si desea interrumpir el modo de limpieza antes de que termine, no oprimir de nuevo el botón de Limpiar sino apagar el conmutador de encendido/apagado. Esto detiene el ciclo de limpieza.
7. Si la máquina está encendida, pero sólo está encendida la luz indicadora de encendido/apagado, esto podrá ser señal de que no llega agua suficiente al sistema, que la bomba de agua no está funcionando u otro problema similar. Comprobar primero el nivel de agua en el tanque de agua, luego examinar la bomba de agua, etc.
8. Si la unidad está conectada a la fuente de alimentación pero no se enciende ningún indicador visual cuando se enciende el conmutador de encendido/apagado, puede ser necesario reemplazar el fusible en el recipiente del panel de control.

## Descripciones de los indicadores LED y los botones:

1. **LED de Recipiente Lleno (blanco):** Luz indicadora de Recipiente Lleno  
Cuando este LED está encendido, esto indica que el nivel de hielo en el recipiente está bastante alto para mantener abierta la cortina para agua, o el microinterruptor está abierto, o hay algo que obstruye el cierre de la cortina. La unidad dejará de funcionar. Cuando se quitan los cubitos de hielo del recipiente de almacenamiento, dejando cerrar la cortina para agua, esto cierra el microinterruptor y el LED blanco parpadeará durante 3 minutos. Luego, la unidad se arrancará de nuevo y regresará al modo de producción de hielo.
2. **LED de Producción de Hielo (Verde):** Luz Indicadora de Producción de Hielo  
Cuando este LED está encendido, la unidad está en el modo de producción de hielo.
3. **LED de Almacenamiento de Hielo (Amarillo):** Luz indicadora de almacenamiento de hielo  
Cuando este LED está encendido, la unidad está funcionando en el modo de almacenamiento de hielo, controlado por el microinterruptor.
4. **Ajuste I. S.:** Ajuste de puente de hielo  
Para el servicio sólo. El ajuste de este tornillo por personas sin título puede dañar los controles de la máquina.
5. **Conmutador de Encendido/Apagado:** El conmutador principal  
Cuando se enciende, la unidad comienza a funcionar después de 3 minutos. El LED indicador de encendido/apagado está encendido.
6. **Botón de Limpiar**  
Si oprime el botón de Limpiar dentro de tres minutos después de encender la unidad, la máquina de hielo entrará en el modo de limpieza. Si usted aprieta el botón de Limpiar (*Clean*) y lo detiene más de seis segundos, la máquina entrará el modo de drenaje. Los LED verde y amarillo parpadearán juntos.

### *IMPORTANTE:*

- Evitar que el agua haga contacto con el recipiente de control.

## DIAGNÓSTICO DE FALLAS

### *Antes de llamar al servicio de reparación*

Si la máquina manifestara síntomas de estar funcionando defectuosamente, leer atentamente la sección de USO DE LA MÁQUINA en este manual. Si el problema continuara, leer la Guía de Diagnóstico de Fallas en las páginas siguientes. A veces, el problema es simple y se puede resolver sin llamar a un servicio técnico.

## Guía de diagnóstico de fallas

<b>Problema</b>	<b>Posible causa</b>	<b>Solución probable</b>
<b>La máquina no funciona.</b>	Está desenchufada.	Enchufar la máquina.
	El fusible está quemado.	Cambiar el fusible, pero si se vuelve a quemar, llamar a un servicio técnico para detectar el cortocircuito en la máquina.
	El interruptor de encendido de la máquina está en posición "OFF" (máquina apagada).	Encender la máquina llevando el interruptor a la posición "ON".
	El recipiente de hielo está lleno.	Sacar algo de hielo y verificar. Cerciórese que la cortina para agua y el microinterruptor se cierran.
<b>No hay entrada de agua después que la máquina arranca.</b>	Está cerrada la válvula de paso en la línea de suministro.	Abrir el paso en la línea de agua.
	La conexión a la línea de agua no está bien realizada.	Volver a hacer la conexión a la línea de suministro de agua.
<b>La máquina hace hielo, pero el recipiente no se llena.</b>	El condensador puede estar sucio.	Limpia el condensador.
	Podría estar obstruida la circulación de aire en la máquina.	Revisar la instalación.
	La temperatura ambiente y la temperatura del agua son muy elevadas, o la máquina está muy cerca de un objeto que libera mucho calor.	Revisar la instalación.
<b>Hay pérdida de agua.</b>	Podría haber caído agua al piso al abrir el recipiente de hielo.	Condensación normal en la puerta o agua presente en el recipiente de hielo. Sacar hielo con cuidado.
	Pérdida en la conexión de agua.	Ajustar bien el acople de unión. Véase la sección "Conexión de la línea de agua".

<b>Problema</b>	<b>Posible causa</b>	<b>Solución probable</b>
<b>Los cubos de hielo no se terminan de formar o son de color blanco en la parte inferior.</b>	No hay suficiente agua en el recipiente.	Verificar que la presión de agua no sea inferior a 15 psig.
		Revisar el filtro de agua: podría estar bloqueado.
		Comprobar que no exista una pérdida en el recipiente de agua.
<b>La máquina hace ruido.</b>	Las patas no están niveladas ni trabadas.	Verificar que el recipiente de hielo está nivelado. Ajustar las patas si necesario.
	Ciertos ruidos son normales.	Véase la sección <i>Sonidos normales</i> .
<b>La máquina se para repentinamente cuando está haciendo hielo.</b>	Se interrumpió la alimentación eléctrica.	Volver a conectar la alimentación eléctrica.
	La temperatura ambiente está fuera de la gama de temperaturas admisibles de servicio.	Cortar la alimentación eléctrica y dejar la máquina detenida hasta que la temperatura ambiente esté dentro de la gama admisible de valores.
	El recipiente de almacenamiento de hielo está lleno de hielo.	Quitar unos cubitos de hielo. Cerciorarse que la cortina para agua y el microinterruptor se cierran.
<b>La máquina está electrificada.</b>	La línea de descarga a tierra no está conectada.	Usar un tomacorriente que satisface la norma eléctrica requerida.
<b>Se acumulan incrustaciones frecuentemente en el circuito interno de la máquina.</b>	La dureza del agua es muy elevada.	Instalar un dispositivo "ablandador" de agua adelante de la válvula de paso de la línea de suministro.

## GARANTÍA LIMITADA

Franklin Industries, L.L.C. garantiza este producto contra defectos de materiales y fabricación, por un período de un año a partir de la fecha original de compra del producto. Franklin garantiza también el compresor por 5 años con una garantía Piezas-solamente de la fecha de la compra. Toda pieza que se probara que es defectuosa será cambiada o reparada en su única discreción por Franklin Industries, LLC, sin cargos para el usuario, siempre y cuando se determine que la máquina fue usada de acuerdo con las instrucciones proporcionadas con el producto. Si la unidad resulta defectuosa, su primera línea de acción debe ser de seguir la norma de devolución del detallista.

Esta garantía es válida únicamente en territorio continental de Estados Unidos y no abarca los siguientes casos:

- Daños por conexión al voltaje incorrecto para la máquina o defectos de instalación
- Daños sufridos durante el transporte
- Defectos no relacionados con la fabricación
- Cualquier gastos de instalación que se pueden contraer
- Mano de obra ni reparaciones después de los primeros 12 meses de uso
- Daños causados por maltrato, uso indebido, accidentes, modificaciones y/o falta de cuidado y mantenimiento adecuados
- Conservación o reparaciones impropias o ejecutadas inexactamente
- Uso de piezas no recomendadas por Franklin Industries, LLC
- Daños debidos a actos de la naturaleza.

Esta garantía limitada se ofrece en reemplazo de cualquier otra garantía, sea expresa o implícita, y no cubre perjuicios directos ni indirectos. Algunos estados no permiten imponer la exclusión o limitación de daños incidentales o consiguientes, por lo tanto la limitación o excepción anterior no puede ser aplicable.

Esta garantía le confiere derechos establecidos por ley, pero usted también podría tener otros derechos que varían de un/una estado/provincia a otro/otra. Consulte las materias escritas que acompañan su producto para la operación segura y apropiada.

Esta garantía no se puede asignar.

Para solicitar servicios cubiertos por la garantía, comunicarse con:

**Franklin Industries, LLC**  
**4100 First Avenue**  
**Brooklyn, NY 11232-3321**  
**Tel.: 1-866-837-5277**

**E-mail: [customerservice@franklinchef.com](mailto:customerservice@franklinchef.com)**

Para solicitar servicios de garantía, es necesario tener los números de Modelo y de Serie, que se pueden encontrar en la etiqueta de datos en la parte de atrás de la máquina, así como también una prueba de la compra tal como un recibo de ventas o de obsequio.

# TABLE DES MATIÈRES

	Page
SÉCURITÉ DE LA MACHINE À GLAÇONS.....	48
PRÉCAUTIONS IMPORTANTES.....	48 - 50
INTRODUCTION.....	51
INFORMATION TECHNIQUE.....	51
EMPLACEMENT DES COMPOSANTS.....	52
INSTALLATION DE L'APPAREIL.....	53 - 58
Déballage.....	53
Spécifications pour l'emplacement.....	53 - 54
Installation typique du compartiment d'emmagasiner de la glace.....	54 - 55
Spécifications électriques.....	55 - 56
Connexion de l'alimentation.....	56 - 57
Alimentation en eau.....	57
Types d'installation.....	58
FONCTIONNEMENT.....	58 - 61
Check-list finale avant la mise en service.....	58
Méthode de fonctionnement.....	58 - 59
Fabrication de glaçons par la machine.....	59 - 60
Bruits qui indiquent un fonctionnement normal.....	60
Préparation de l'appareil pour une période de stockage prolongée.....	60 - 61
ENTRETIEN ET NETTOYAGE.....	61 - 64
Nettoyage extérieur.....	62
Nettoyage intérieur.....	62 - 63
Nettoyage du tube de distribution d'eau.....	62
Nettoyage du système de fabrication de la glace.....	63
Nettoyage du filtre à air du condenseur.....	64
PANNEAU DE CONTRÔLE.....	64 - 65
SOLUTION DES PROBLÈMES.....	66 - 67
GARANTIE LIMITÉE.....	68

**Franklin Industries, L.L.C., se réserve le droit d'apporter des modifications aux spécifications**

**et au plan sans avis préalable.**

**NOTICE : Les modèles FIM400, FIM600 et FIM1000 sont des appareils à glaçons et n'incluent pas de compartiment d'emmagasiner de la glace. Si vous commandez un compartiment, prière de suivre ce manuel et le manuel joint au compartiment pour l'installation, le réglage des pieds du compartiment d'emmagasiner de la glace, le nettoyage, la vidange de l'eau, etc.**



# SÉCURITÉ DE LA MACHINE À GLAÇONS

*Votre sécurité et celle des autres sont très importantes.*

Nous avons inséré plusieurs messages importants concernant la sécurité dans ce manuel et sur l'appareil. Lire ces messages et en respecter toujours les indications.



Celui-ci est le symbole d'alerte de sécurité. Ce symbole annonce un risque de dommages potentiellement mortels pour l'opérateur. Tous les messages de sécurité suivront le symbole d'alerte et aussi les mots "DANGER", "AVERTISSEMENT" ou "ATTENTION".

**⚠ DANGER ⚠**

**DANGER** signifie que la non-observation de cette prescription de sécurité peut provoquer de graves dommages personnels ou la mort.

**⚠ AVERTISSEMENT**

**AVERTISSEMENT** signifie que la non-observation de cette prescription de sécurité peut provoquer de graves dommages au produit et personnels ou la mort.

**ATTENTION**

**ATTENTION** signifie que la non-observation de prescription de sécurité peut provoquer des dommages personnels légers ou modérés et des dommages au matériel.

Tous les messages de sécurité alertent l'utilisateur en l'informant de la nature du risque potentiel, indiquent comment réduire les chances de dommages et signalent les conséquences de la non-observation des prescriptions.

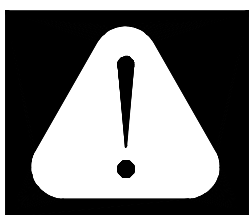
## INSTRUCTIONS DE SÉCURITÉ IMPORTANTES

**AVERTISSEMENT : Pour réduire les risques d'incendie, électriques ou blessures en utilisant l'appareil suivre ces précautions de base :**

- Brancher à une prise à 3 broches avec branchement à la terre.
- Ne pas enlever la broche de terre.
- Ne pas utiliser d'adaptateurs.
- Ne pas utiliser de câbles de rallonge.
- Couper le courant avant nettoyage.
- Couper le courant avant de commencer les opérations d'entretien.
- Remettre en place tous les panneaux avant démarrage.
- Opérer à deux ou plusieurs personnes pour déplacer et installer l'appareil.

**SAUVEGARDER CES INSTRUCTIONS**

## PRÉCAUTIONS IMPORTANTES



Avant d'utiliser l'appareil pour la fabrication des glaçons, il faut le placer et l'installer correctement selon les indications de ce manuel qui doit être lu avec attention. Franklin Industries recommande fortement de faire installer la nouvelle machine par un professionnel. La garantie peut être affectée ou annulée par une installation incorrecte. Pour réduire les risques d'incendie, électrocution ou dommages personnels lors de l'utilisation de l'appareil, suivre les précautions de base, y compris les suivantes :

## DANGER

- Il est recommandé de prévoir un circuit séparé, utilisé exclusivement par l'appareil de préparation des glaçons. Utiliser des prises qui ne puissent pas être débranchées par un interrupteur ou une chaînette de traction.
- Ne pas connecter ou déconnecter la fiche électrique avec des mains mouillées.
- Ne jamais débrancher la machine à glaçons en tirant sur le cordon d'alimentation. Toujours saisir la fiche fermement et la tirer perpendiculairement à la prise.
- Ne jamais nettoyer les pièces de la machine à glaçons avec des liquides inflammables. Ne pas ranger ou utiliser d'essence ou d'autres vapeurs et liquides inflammables à proximité de cet appareil ou de quelque autre appareil que ce soit. Les vapeurs peuvent créer des risques d'incendie ou une explosion.
- Avant de procéder au nettoyage et à l'entretien, s'assurer que le cordon d'alimentation de l'appareil est débranché et que la conduite d'eau est fermée. (EXCEPTION : En nettoyant le système de fabrication de glaçons ; voir la page 63.)
- Avant d'utiliser, remettre tous les panneaux du caisson dans leur emplacement d'origine.
- Ne pas toucher l'évaporateur avec les mains lorsque la machine fonctionne.
- Débrancher la machine à glaçons ou débrancher l'alimentation avant de procéder au nettoyage et à l'entretien. Ne pas respecter cet avertissement risque d'entraîner une électrocution ou le décès.
- Ne pas essayer de réparer ou de remplacer quelque pièce que ce soit de la machine à glaçons, à moins que cela ne soit recommandé spécifiquement dans ce manuel. Toutes les autres procédures d'entretien doivent être effectuées par un technicien qualifié.

## AVERTISSEMENT

- Utiliser au moins deux personnes pour déplacer et installer l'appareil. Ceci pour éviter des lésions dorsales ou autres.
- Pour garantir la ventilation correcte de l'appareil, la partie avant de la machine doit être complètement dégagée. Choisir un emplacement bien ventilé avec des températures comprises entre 10°C (50°F) et 38°C (100°F). Cet appareil DOIT être installé à l'abri des agents atmosphériques tels que vent, pluie, jets ou coulures d'eau.
- L'appareil ne doit pas être placé près de fourneaux, grills ou autres sources de chaleur à température élevée.
- L'appareil doit être installé avec tous les branchements électriques, au réseau de l'eau et à l'égout, réalisées en conformité aux prescriptions nationales et locales. Est requise une prise électrique standard conformément au plaque sur le côté de la machine (ou voir la page 51), correctement branchée à la terre selon le Code Électrique Nationale et les prescriptions locales et nationales.
- Le câble d'alimentation ne doit pas être tordu ou coincé entre l'appareil et le mur.
- Le fusible (ou le disjoncteur) doit être prévu pour un courant de 20 ampères pour le modèle FIM400 et 30 ampères pour les FIM600 et FIM1000.
- Pour fonctionner correctement il est important que l'appareil pour la fabrication des glaçons soit parfaitement à niveau.
- Toutes les installations hydrauliques doivent correspondre aux prescriptions locales.
- S'assurer que les tuyaux ne sont pas coincés, tordus ou endommagés pendant l'installation.
- Vérifier l'absence de fuites après branchement.
- Bien que l'appareil ait été essayé à l'usine, à cause du temps nécessaire pour l'expédition et le stockage, le premier lot de glaçons doit être jeté.
- Retirer les matériaux d'emballage et nettoyer la machine à glaçons avant de l'utiliser.
- Ouvrir le robinet d'alimentation en eau avant de mettre en marche la machine à glaçons. Ne jamais fermer le robinet d'alimentation en eau lorsque la machine à glaçons fonctionne.
- Sauf pour prendre des glaçons dans le compartiment d'emmagasinement, toujours maintenir la porte de celui-ci fermée afin d'éviter que les glaçons fondent et veiller à la bonne formation de ceux-ci.

- Si la machine pour la fabrication des glaçons n'est pas utilisée pendant longtemps, il faut la nettoyer à fond avant de la remettre en service. Suivre soigneusement toutes les instructions fournies pour le nettoyage ou l'utilisation de la solution désinfectante. Ne pas laisser des solutions à l'intérieur de l'appareil après le nettoyage.
- NE PAS toucher les ailettes du condenseur. Les ailettes du condenseur sont tranchantes et il est facile de les endommager.
- NE PAS utiliser à l'intérieur des produits de nettoyage à base de solvants ou abrasifs. Ces produits peuvent transmettre un goût aux glaçons ou aussi endommager ou décolorer l'intérieur.
- Le produit de nettoyage de l'appareil contient des acides. NE PAS le mélanger ou l'utiliser en mélange avec d'autres produits de nettoyage à base de solvants. Utiliser des gants en caoutchouc pour protéger les mains. Lire soigneusement les instructions de sécurité sur le récipient du produit de nettoyage de l'appareil à glaçons.
- Ne pas utiliser cet appareil pour des usages différents de ce qui est prévu.

## ***SAUVEGARDER CES INSTRUCTIONS***

### **Branchement électrique**

#### **Modèle FIM400**

Ne jamais couper ou éliminer, pour n'importe quelle raison, la troisième broche de la fiche du câble d'alimentation. Pour la sécurité personnelle, cet appareil doit être correctement branché à la terre. Le câble d'alimentation de cet appareil est pourvu d'une fiche à trois broches, avec contact de terre, à coupler avec une prise murale standard avec contact de terre pour réduire au minimum la possibilité de risque d'électrocution par l'appareil. Faire vérifier la prise murale et le circuit par un électricien qualifié pour s'assurer que le branchement à la terre est effectif. Si la prise disponible n'accepte que des fiches à deux broches, il appartient à la responsabilité et aux obligations de l'utilisateur de la remplacer par une prise murale à trois broches correctement branchée à la terre.

#### **Modèles FIM600 et FIM1000**

Les deux de ces modèles exigent une alimentation de 230VCA ~ 60Hz et leurs cordons d'alimentation soient équipés avec des prises qui correspondront seulement aux sorties à haute tension spécialisées.

L'appareil doit être toujours branché sur sa prise individuelle qui a un voltage correspondant aux indications de la plaque de l'appareil. Ceci assure les meilleures performances et évite de surcharger les câbles des circuits de la maison dont la surchauffe pourrait être une cause de risque d'incendie. Ne jamais débrancher l'appareil en tirant sur le câble d'alimentation. Saisir toujours fermement la fiche et la sortir de la prise. Réparer ou replacer immédiatement tous les câbles d'alimentation usés ou endommagés. Ne pas utiliser un câble qui présente des craquelures ou des abrasions sur la longueur ou aux extrémités. En déplaçant la machine, faire attention à ne pas endommager le câble d'alimentation.

#### **Câble de rallonge**

A cause des risques potentiels pour la sécurité dans certaines conditions, il est vivement recommandé de ne pas utiliser de câbles de rallonge avec cet appareil.

## INTRODUCTION

Les machines à glaçons automatiques commerciales de Franklin Chef® fabriquent des glaçons durs et transparents comme le cristal pour les gourmets. Ce manuel de l'utilisateur est présenté en tant que ressource pour les personnes qui les installent, utilisent et procèdent à l'entretien. Il contient de précieux renseignements sur la sécurité et l'entretien. Franklin Chef® recommande fortement de conserver ce manuel dans un endroit facile d'accès lorsque nécessaire. Chaque machine à glaçons de Franklin Chef® a été conçue et fabriquée conformément aux normes de sécurité et de performance les plus strictes. Elle respecte, voire dépasse, la norme sécurité UL563 et la norme d'hygiène NSF12.

Franklin Industries L.L.C. n'assume pas d'obligations ou responsabilité d'aucun genre pour tous types de produits fabriqués par Franklin Industries, L.L.C., qui aient été modifiés de n'importe quelle manière, y compris l'utilisation de toutes pièces et/ou parties non expressément approuvées par Franklin Industries L.L.C. Franklin Industries, L.L.C., se réserve le droit d'apporter des modifications au plans et/ou des améliorations à n'importe quel moment. Spécifications et plans peuvent être modifiés sans préavis.

## INFORMATION TECHNIQUE

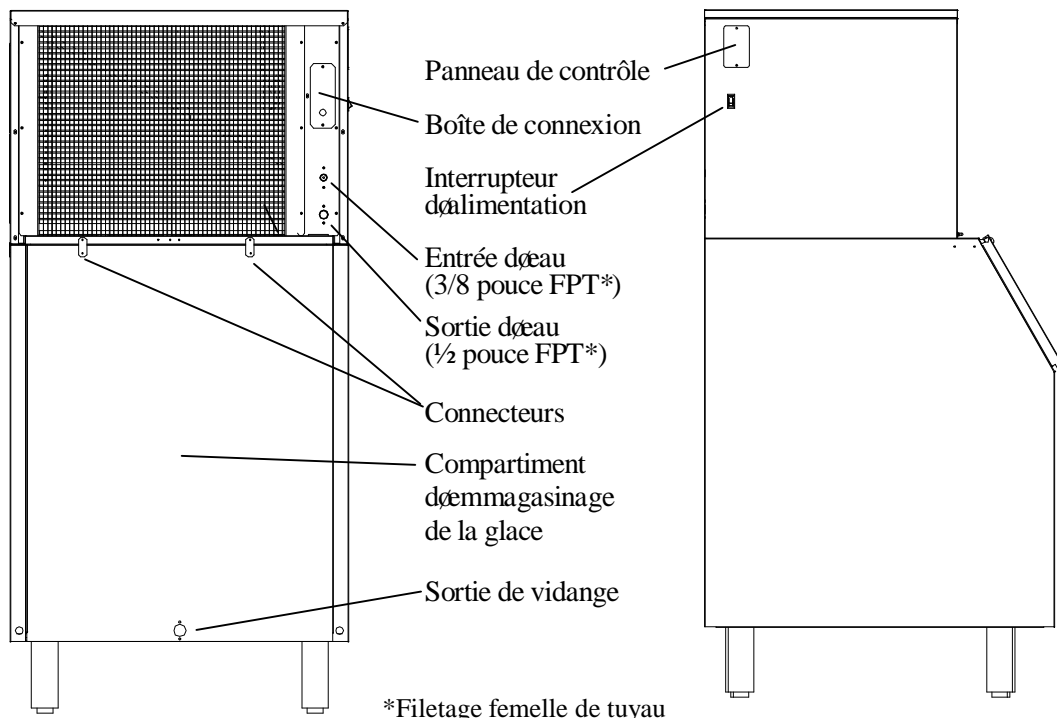
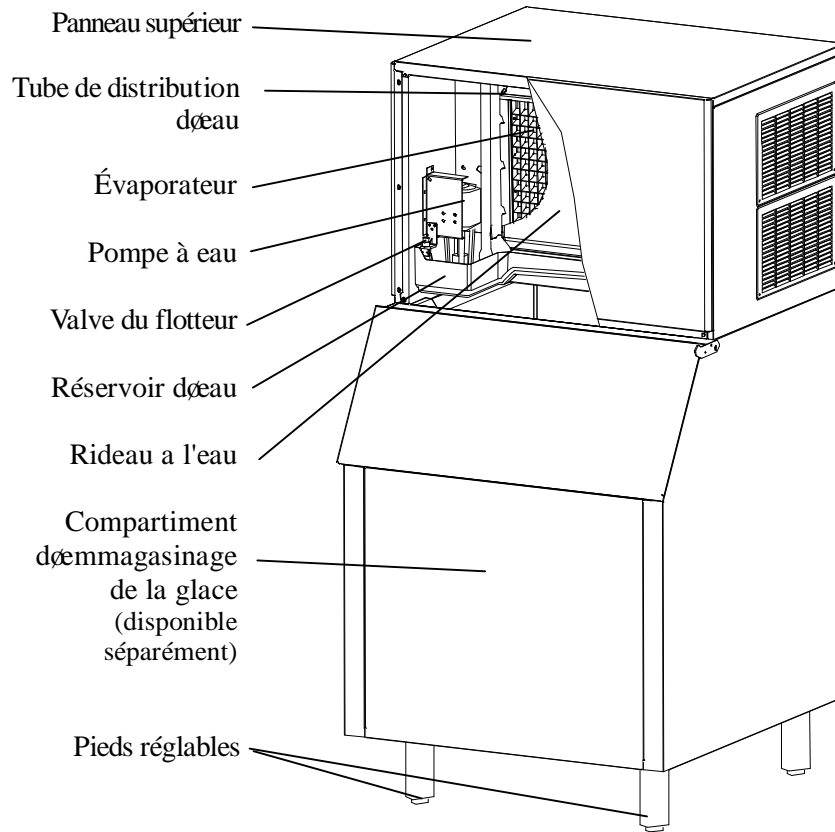
<b>Modèle</b>	<b>FIM400</b>	<b>FIM600</b>	<b>FIM1000</b>
<b>Alimentation électrique</b>	115VCA ~ 60Hz	230VCA ~ 60Hz	230VCA ~ 60Hz
<b>Consommation électrique</b> (kWh / 100 livres de glace)	8.3	8.2	7.8
<b>Courant nominal de fabrication des glaçons/ récolte des glaçons</b>	12.4A/15.3A	7.6A/9.85A	9.2A/11.3A
<b>Réfrigérant</b>	R404a, 24.5 oz.	R404a, 45.8 oz.	R404a, 52.9 oz.
<b>Pression haute/basse</b>	350psig/190psig	380psig/190psig	400psig/190psig
<b>Largeur x profondeur x hauteur de l'appareil</b>	30 x 24 x 20 pouces (762 x 610 x 530 mm)	30 x 24 x 20 pouces (762 x 610 x 530 mm)	30 x 24 x 26 pouces (762 x 610 x 683 mm)
<b>Poids de l'appareil</b>	130 livres maximum (59,1 kg)	155 livres maximum (70,5 kg)	194 livres maximum (88,2 kg)
<b>Capacité en glaçons</b>	400 livres/jour* (181,8 kg)	600 livres/jour* (272,7 kg)	1000 livres/jour* (454,5 kg)
<b>Forme des glaçons</b>	Cube	Cube	Cube
<b>Dimensions des glaçons</b>	¾ x 1 x ¾ pouces (19 x 25 x 19 mm)	¾ x 1 x ¾ pouces (19 x 25 x 19 mm)	¾ x 1 x ¾ pouces (19 x 25 x 19 mm)
<b>Températures ambiantes pour la meilleure opération</b>	50°F - 100°F (10°C - 38°C)	50°F - 100°F (10°C - 38°C)	50°F - 100°F (10°C - 38°C)
<b>Gamme optimale de températures de l'eau qui entre</b>	41°F - 90°F (5°C - 32°C)	41°F - 90°F (5°C - 32°C)	41°F - 90°F (5°C - 32°C)

\*La quantité réelle de glaçons fabriquée par jour peut varier en fonction des conditions de la pièce et de l'eau.

Utiliser les données techniques et les indices de performance indiqués ci-dessus à titre exclusif de référence. Ils peuvent varier.

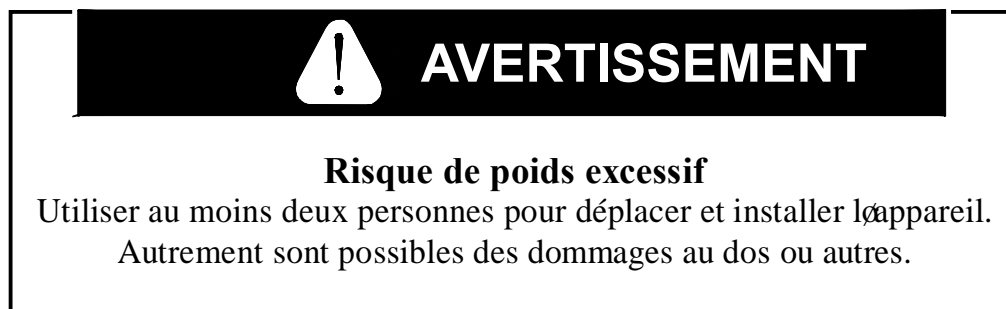
Ce produit a été testé est certifié conforme à la norme 12 de NSF par NSF International.

## EMPLACEMENT DES COMPOSANTS



# INSTALLATION DE L'APPAREIL

## Déballage



*Cet appareil ne fait que fabriquer des glaçons. Il nécessite un compartiment séparé d'emmagasinage de la glace.*

### Enlever les matériaux d'emballage

*IMPORTANT: Ne pas enlever les étiquettes d'instructions ou les plaques d'identification fixées à l'appareil.*

Enlever de l'appareil le ruban adhésif et la colle avant de l'employer.

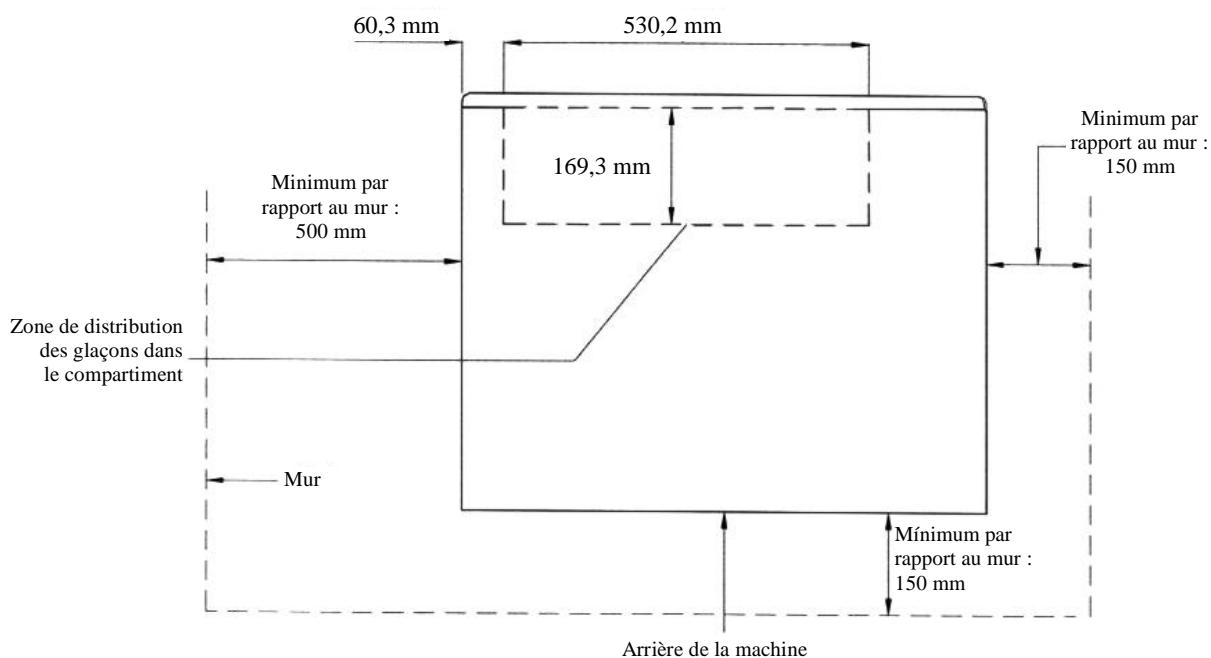
- Pour enlever les résidus de ruban adhésif ou colle, frotter vivement la surface avec le pouce. Les résidus d'adhésifs ou de colle peuvent aussi être enlevés en frottant sur l'adhésif avec les doigts une petite quantité de savon à vaisselle liquide. Rincer à l'eau chaude et essuyer.
- Ne pas utiliser d'instruments tranchants, alcool, liquides inflammables ou détersifs abrasifs pour enlever le ruban adhésif ou la colle. Ces produits peuvent endommager la surface de l'appareil.

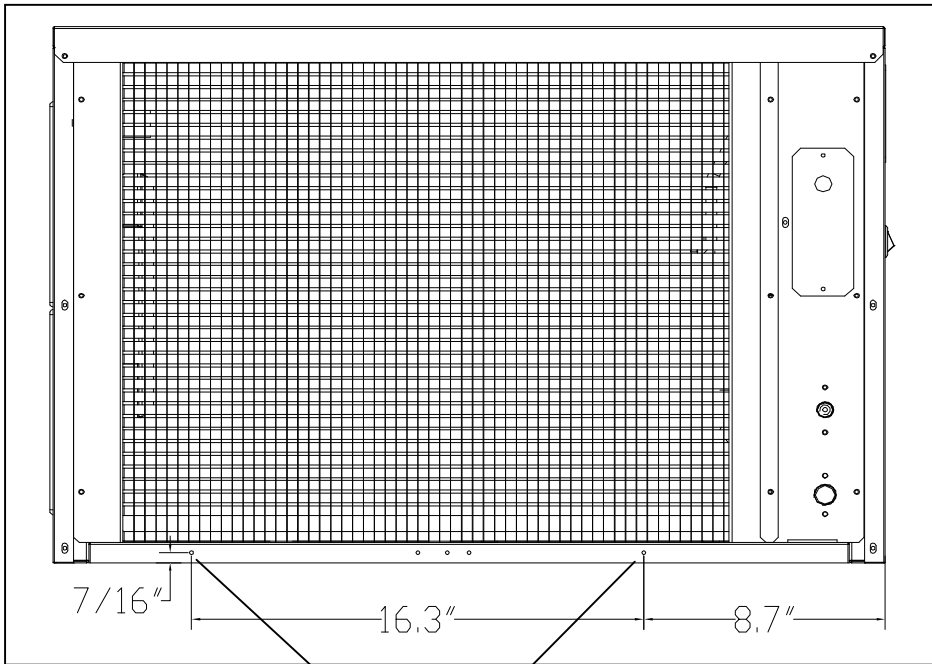
### Spécifications pour l'emplacement

- *Cette machine à glaçons doit être installée par un technicien qualifié.*

### Espaces libres

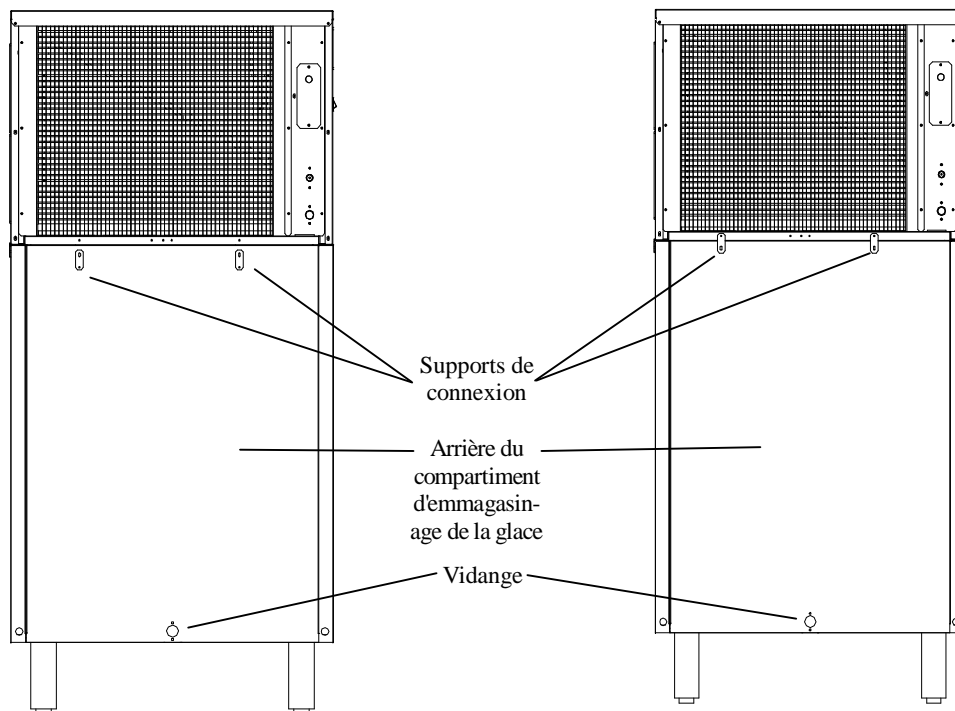
#### VUE DU HAUT





VUE DE L'ARRIÈRE

Les deux trous permettent d'attacher le compartiment d'emmagasinage de la glace. Voir les schémas ci-dessous.



### ***Installation typique du compartiment d'emmagasinage de la glace***

Deux supports de connexion sont fixés au bord arrière supérieur du compartiment d'emmagasinage de la glace. Orienter les supports vers le haut (180°) et utiliser deux vis pour connecter la machine principale et le compartiment d'emmagasinage de la glace.

- Pour garantir une bonne ventilation de l'appareil, la partie avant doit être complètement dégagée.
- Choisir une zone bien ventilée avec une température comprise entre 10°C (50°F) et 38°C (100°F). Cet appareil DOIT être installé dans un endroit protégé des agents atmosphériques tels que vent, pluie, nébulisation ou égouttements d'eau.
- L'appareil ne doit pas être installé en proximité de fours, grills ou autres sources de chaleur à température élevée.
- L'installation de l'appareil exige une alimentation d'eau froide de 9,5 mm ( 3/8 in.) de diamètre en cuivre malléable avec une valve de fermeture.
- La machine à glaçons nécessite une alimentation continue en eau d'une pression minimum de 15 psig et d'une pression statique ne dépassant pas 80 psig. La température de l'eau alimentant la machine à glaçons doit être comprise entre 41°F (5°C) et 90°F (32°C) pour que l'appareil fonctionne correctement.

## AVERTISSEMENT

La température ambiante normale de fonctionnement devrait être comprise entre 10°C (50°F) et 38°C (100°F). La température normale de l'eau devrait être comprise entre 5°C (41°F) et 32°C (90°F). Le fonctionnement de l'appareil pendant de longues périodes à des températures en dehors de cette gamme peut affecter le rendement.

- En général, le filtrage de l'eau est toujours une bonne idée. Un filtre pour l'eau, s'il est du type approprié, peut supprimer les goûts et les odeurs et aussi les matières en suspension.
- L'appareil doit être installé avec tous les branchements électriques, de l'eau et de drainage réalisés conformément aux prescriptions nationales et locales.
- Placer la machine à glaçons et le compartiment sur une surface ferme et de niveau. Il est important que la machine à glaçons soit parfaitement de niveau pour pouvoir fonctionner correctement ; dans le cas contraire l'eau risque de ne pas circuler correctement dans l'évaporateur (moule des glaçons). Moins de glaçons que prévu sont alors fabriqués et le fonctionnement est bruyant.

Les pieds de la plupart des compartiments peuvent être tournés pour régler la hauteur selon le nécessaire. Suivre les instructions jointes au compartiment acheté.

### *Spécifications électriques*

## DANGER

**Risque d'électrocution**

Brancher à une prise à 3 broches avec contact de terre.  
 Ne jamais enlever la broche de terre de la fiche.  
 Ne jamais utiliser un adaptateur.  
 Ne jamais utiliser un câble de rallonge.  
 La non-observation de ces prescriptions peut provoquer la mort, un incendie ou un choc électrique.

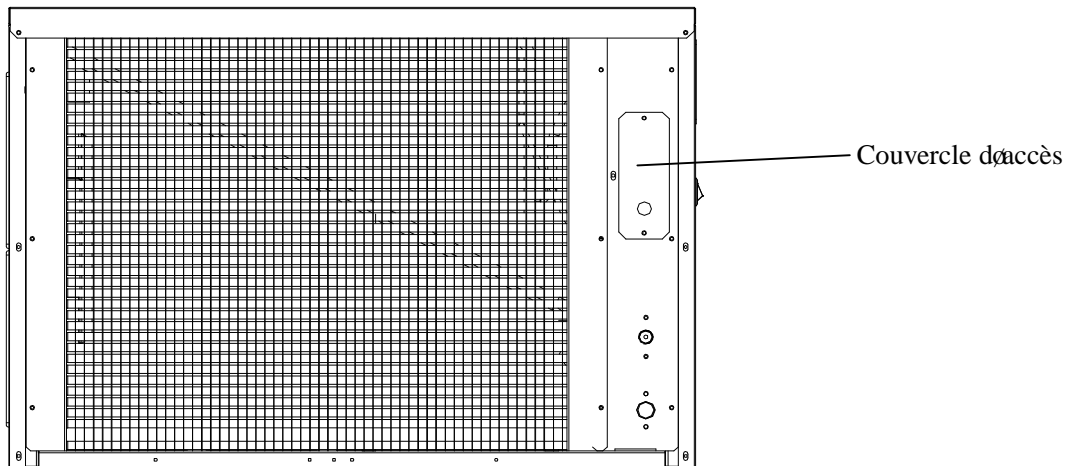


Avant de placer l'appareil dans sa position définitive, il est important de vérifier que le branchement électrique est correct. Se référer au plaque sur le côté gauche de la machine (ou voir *Information Technique* à la page 51) pour s'assurer que vous utilisez la tension propre, convenablement mis à terre conformément au Code Electrique National et les codes et les ordonnances locaux. Toujours brancher la machine à glaçons dans sa propre prise électrique individuelle. Il est recommandé de prévoir un circuit séparé, utilisé exclusivement par l'appareil de préparation des glaçons. Utiliser des prises qui ne puissent pas être débranchées par un interrupteur ou une chaînette de traction. Le fusible (ou le disjoncteur) devront être prévus pour un courant de 20 ampères pour le modèle FIM400 et de 30 ampères pour les FIM600 et FIM1000.

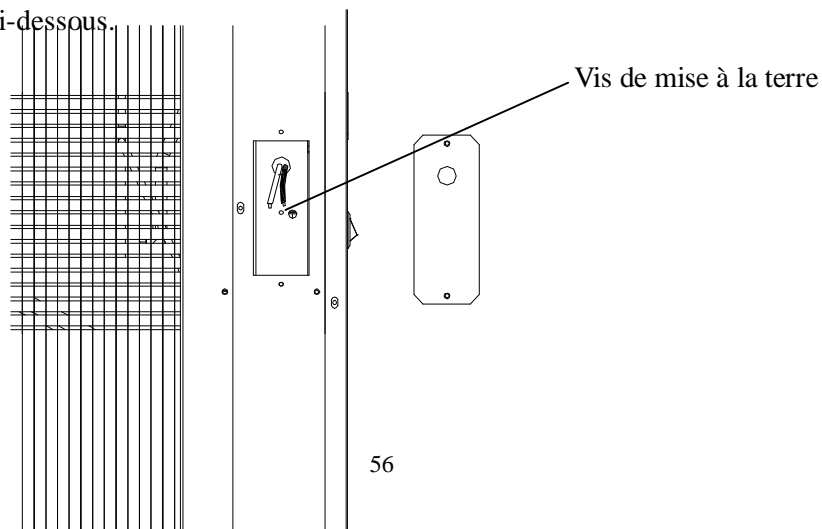
### **Méthode de mise à la terre recommandée**

Pour votre sécurité personnelle cet appareil doit être branché à la terre. Pour le modèle FIM400, le cordon d'alimentation (non inclus) doit être pourvu d'une fiche avec mise à la terre à 3 broches. Pour réduire au minimum les risques de secousses électriques, le câble doit être inséré dans une prise murale à 3 broches correspondante et reliée à la terre selon les prescriptions du Code Électrique National et les règlements locaux. Si une prise correspondante à la fiche n'est pas disponible, il appartient à la responsabilité personnelle du client de faire installer par un électricien qualifié la prise à 3 broches dont ci-dessus, correctement branchée à la terre. Les modèles FIM600 et FIM1000 exigent une corde, une fiche et une sortie électrique projetées pour un circuit de 230VCA.

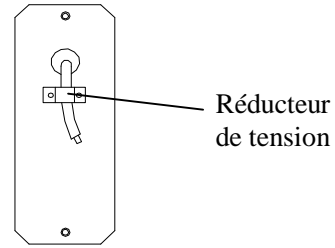
### ***Connexion de l'alimentation***



1. Dévisser les deux vis maintenant le couvercle d'accès et retirer celui-ci. Il y a deux fils (noir et blanc). Voir le schéma ci-dessous.



2. Faire passer un cordon d'alimentation (non inclus) dans le couvercle d'accès et le connecter avec les deux fils. La ligne de mise à la terre doit être connectée à la vis de mise à la terre. Les deux connecteurs doivent être installés. Remettre le couvercle d'accès en place.



3. Le paquet d'accessoires contient un réducteur de tension. Fixer le cordon d'alimentation sous le réducteur, tel qu'indiqué par l'illustration ci-dessus.
4. L'autre extrémité du cordon d'alimentation doit être connectée à une prise conforme au code électrique local.

**NOTE:** *Votre machine peut être empilée sur n'importe quel des machines de Franklin Chef® mentionnées dans ce manuel. Si la machine devrait être empilée sur une autre machine, une trousse d'empilage aura besoin d'être installée. Se référer aux instructions d'installation incluses avec la trousse d'empilage.*

### **Alimentation en eau**

La conduite d'alimentation en eau doit être prête au point d'installation. La pression d'alimentation en eau doit être d'au moins 15 psig et la pression statique ne pas dépasser 80 psig. (Une prise murale située juste derrière la machine à glaçons facilite l'installation.)

#### **IMPORTANT:**

1. *C'est extrêmement important pour le fonctionnement propre et pour la pureté et le goût de la glace qu'un filtre d'eau se utilise en installant la machine. L'utilisation d'un filtre d'eau protégera votre machine et empêchera les mottes qui résultent de l'excès des minéraux dans l'eau.*
2. *Toutes les installations doivent être conformes aux prescriptions du code local pour les branchements hydrauliques. L'installation professionnelle est recommandée.*
3. *Arrivée d'eau: 3/8 pouce FPT (Filetage femelle de tuyau); connexion de la ligne de vidange: 1/2 pouce FPT*
4. *Vérifier que vous avez le bon tuyau d'alimentation d'eau et que les tuyaux ne sont pas pincés ou tordus ou endommagés pendant l'installation.*
5. *Après branchement, vérifier l'absence de fuites.*

**Outils nécessaires :** clé de 1/2 pouce, tournevis Phillips

#### **Branchement de l'alimentation d'eau :**

1. Fermer la vanne principale d'alimentation de l'eau.
2. Repérer un tuyau vertical d'eau froide de diamètre compris entre 1/2 et 3/4 de pouces près de l'emplacement de l'installation. La distance devrait être moins de la longueur du tuyau d'alimentation d'eau.
3. Une valve de fermeture doit être installée sur la principale conduite d'alimentation en eau.
4. Connecter le tuyau d'alimentation d'eau au robinet et à la valve d'arrivée d'eau. Serrer fermement à la main, puis donner un demi tour de clé.
5. Connecter le tuyau de vidange d'eau à la connexion de la ligne de vidange. Serrer fermement à la main, puis donner un demi tour de clé.
6. Ouvrir la vanne principale d'alimentation en eau et le robinet. Vérifier que les raccords du système d'alimentation en eau ne fuient pas. Serrer tous les raccords (y compris ceux situés au niveau de l'arrivée d'eau et de la vidange).

## ***Types d'installation***

Cette machine à glaçons a été conçue pour une installation libre. Une installation libre permet d'installer la machine à glaçons en mode libre en tout endroit désiré dans la mesure où celui-ci permet d'accéder à une conduite d'alimentation en eau. Ménager un dégagement suffisant autour de l'unité pour la ventilation. (Voir page 53.)

Suivre les instructions indiquées pour

- a. les spécifications électriques
- b. l'alimentation en eau
- c. la vidange

## **Nettoyage avant utilisation**

Retirer toutes les bandes autocollantes de la machine, puis nettoyer l'intérieur de la machine à glaçons et du compartiment d'emmagasinage de la glace avant de les utiliser. Voir «Nettoyage de l'intérieur» dans la section *Nettoyage et entretien*.

# **FONCTIONNEMENT**

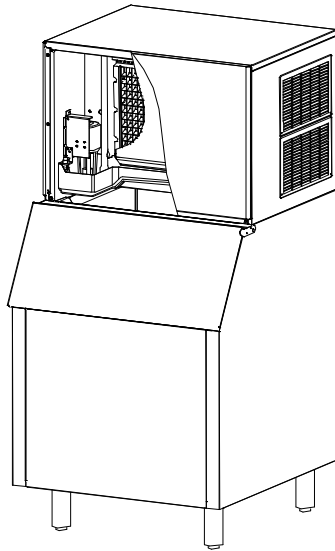
## ***Check-list finale avant la mise en service***

1. Tout le matériel d'emballage et le ruban adhésif ont été enlevés à l'intérieur et à l'extérieur de l'appareil?
2. La trémie de stockage des glaçons a été nettoyée?
3. Les instructions d'installations, y compris celles concernant les branchements de la machine à l'eau d'alimentation, au drainage et à l'électricité ont été suivies?
4. La machine est correctement à niveau? Les pieds sont bloqués?
5. L'appareil est dans un local où la température ambiante soit comprise entre 10°C (50°F) et 38°C (100°F) et la température de l'eau entre 5°C (41°F) et 32°C (90°F) pendant toute l'année?
6. La pression d'alimentation en eau a-t-elle été contrôlée pour assurer un minimum de 15 psig et une pression statique ne dépassant pas 80 psig ?
7. Il y a un espace libre d'au moins 150 mm (6 pouces) à l'arrière et de 150 mm (6 pouces.) sur les côtés et en dessus pour assurer une circulation correcte de l'air?
8. Le voltage d'alimentation a été vérifié et il correspond aux indications de la plaque d'identification de l'appareil? L'appareil a été correctement branché à la terre?
9. L'appareil est branché?
10. La vanne principale et le robinet de l'eau sont ouverts?
11. L'absence de fuites sur les branchements de l'alimentation d'eau et du drainage a été vérifiée?

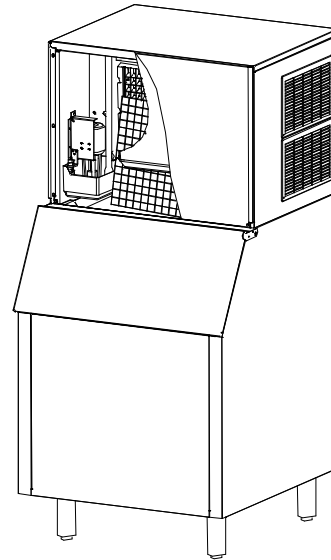
## ***Méthode de fonctionnement***

1. Ouvrir le robinet d'eau ; l'eau pénètre dans le réservoir d'eau. Appuyer sur l'interrupteur de courant ; son témoin DEL s'allume.
2. Après 3 minutes, la machine à glaçons se met automatiquement en phase de fabrication des glaçons et on peut entendre l'eau circuler.
3. Lorsqu'un paquet de glaçons a été formé, il est automatiquement récolté dans le compartiment d'emmagasinage de la glace.
4. Lorsque le compartiment d'emmagasinage de la glace est plein, la feuille de cubes ne tombe pas complètement et le rideau à l'eau ouvre; le microinterrupteur est gardé ouvert. La machine est dans la phase de remplissage en glaçons.

5. L'appareil recommence à faire des glaçons dès que ces glaçons ont été retirés. En même temps, le rideau à l'eau se balance à la position fermée pour tenir le microinterrupteur en position de fonctionnement.



Phase de fabrication des glaçons



Phase de récolte des glaçons

**IMPORTANT :**

- *Bien que l'appareil ait été testé et nettoyé en usine, son premier lot de glaçons doit être jeté en raison de la durée prolongée du rangement et du transport.*
- *Ne jamais fermer le robinet d'alimentation en eau lorsque la machine à glaçons fonctionne.*
- *Ne jamais toucher l'évaporateur lorsque la machine fonctionne.*
- *Sauf pour prendre des glaçons dans l'appareil, toujours maintenir la porte du compartiment fermée afin d'éviter que les glaçons fondent et veiller à la bonne formation de ceux-ci.*

***Fabrication de glaçons par la machine***

Mettre l'interrupteur d'alimentation en position ON. Après 3 minutes environ, la machine se met automatiquement en phase de création de glaçons.

Il y a deux cycles distincts : congélation et récolte. L'eau circule à la surface de l'évaporateur pendant le cycle de congélation. La glace est libérée et l'eau pénètre dans la machine pendant le cycle de récolte. Un cycle complet (cycle de congélation et cycle de récolte) dure entre 15 et 40 minutes, selon la température et les conditions de fonctionnement.

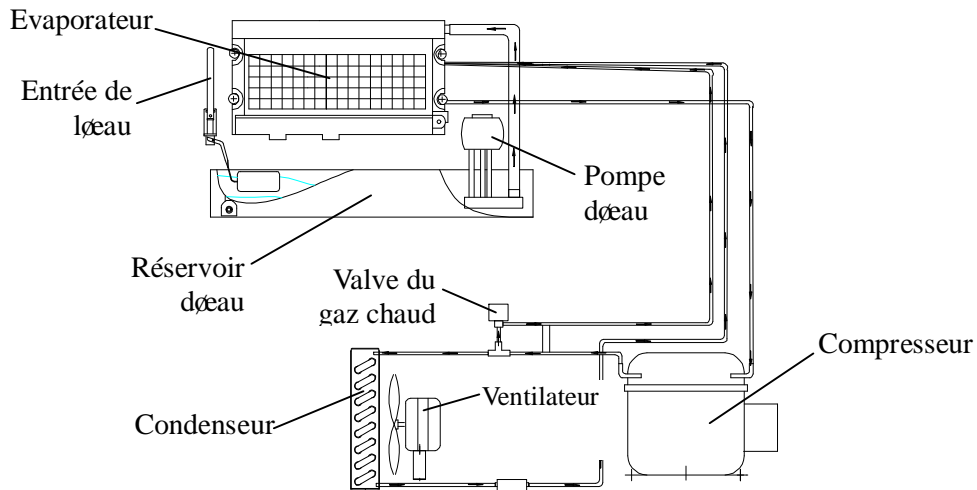
**Congélation :** Pendant le cycle de congélation, le compresseur pompe le réfrigérant, le moteur du ventilateur souffle de l'air et la pompe à eau pompe de l'eau. Lorsque le lot de glaçons est entièrement formé, la machine à glaçons arrête le cycle de congélation et le cycle de récolte commence.

**Récolte :** Pendant le cycle de récolte, le compresseur fonctionne toujours et l'alimentation se fournit aux soupapes pour la purge d'eau et le gaz chaud. La soupape de purge d'eau s'ouvre et permet à la pompe d'eau de purger l'eau qui reste dans le réservoir d'eau, enlever toutes les impuretés et tout sédiment. Ceci permet à la machine de faire des glaçons clairs et de garder l'accumulation des minéraux à un minimum. Alors la pompe d'eau s'arrête. Quand la soupape de gaz chaud s'ouvre, il permet au gaz chaud d'aller directement à l'évaporateur. Le

gaz chauffant l'évaporateur, les cubes se détachent et tombent dans le compartiment de stockage. Le cycle de congélation reprend lorsque tous les cubes sont tombés dans le compartiment.

### Utilisation de l'eau par la machine :

La machine à glaçons commence avec la charge fixe d'eau contenue dans le réservoir d'eau. Lorsque l'eau circule sur la surface congelante de l'évaporateur, elle se congèle et adhère aux moules des glaçons. Pendant le processus de fabrication des glaçons, de l'eau fraîche pénètre en continu dans le réservoir d'eau, au fur et à mesure que l'eau provenant du réservoir se congèle en continu sur l'évaporateur.



### ***Bruits qui indiquent un fonctionnement normal***

L'appareil encore inconnu émet des sons qui ne sont pas familiers à l'utilisateur. La plupart de ces nouveaux sons sont normaux. Les surfaces dures telles que le plancher et les murs peuvent amplifier les sons. Ici de suite la description des genres de sons qui peuvent apparaître nouveaux et leurs causes relatives.

- Un cliquetis peut venir du flux dans réfrigérant ou le tuyau de l'eau. Les objets entreposés sur l'appareil peuvent aussi émettre des bruits.
- Le compresseur à haute efficacité peut aussi émettre un son pulsant ou aigu.
- La circulation de l'eau peut émettre un son de clapotis.
- Il est possible d'entendre le bruit de l'air forcé sur le condenseur par le ventilateur du condenseur.
- Pendant le cycle de récolte, l'on entendra le bruit des glaçons qui tombent dans la trémie de stockage.

### ***Préparation de l'appareil pour une période de stockage prolongée***

Si l'appareil ne devait pas être utilisé pendant longtemps, ou bien, s'il fallait le déplacer ailleurs, il sera nécessaire de purger l'eau contenue dans le système.

1. Fermer le robinet d'alimentation de l'eau.
2. Débrancher la ligne d'alimentation de l'eau branchée sur la valve d'entrée.
3. Appuyer sur le bouton de nettoyage (*Clean*) et le maintenir en place pour six secondes. La machine entrera automatiquement au mode de drainage d'eau, avec les indicateurs de récolte et congélation clignotants, jusqu'à ce que l'eau dans le réservoir coule bas l'égout complètement. Après le drainage, les DELs indicateurs de récolte et de congélation seront allumés. Le procédé de drainage s'arrête.

4. Couper l'alimentation au niveau de la source principale d'alimentation électrique.
5. Sécher le réservoir d'eau.
6. Retirer tous les glaçons du compartiment d'emmagasinage de la glace et le sécher.
7. Laisser la porte ouverte pour permettre la circulation de l'air et prévenir la formation de moisissures et taches d'humidité.
8. Laisser la ligne d'alimentation de l'eau et le câble d'alimentation débranchés jusqu'à la réutilisation.

**IMPORTANT :**

- *Ne pas toucher la fiche électrique avec des mains mouillées.*
- *Ne jamais débrancher l'appareil en tirant sur la fiche.*

## ENTRETIEN ET NETTOYAGE

### ATTENTION

Si l'appareil reste inutilisé pendant longtemps, il faut le nettoyer à fond avant de le remettre en service. Suivre soigneusement toutes les instructions fournies pour le nettoyage ou l'utilisation de solutions désinfectantes. Ne pas laisser des solutions à l'intérieur de l'appareil après nettoyage.

Le nettoyage périodique et un entretien correct assureront l'efficacité, les performances maximum et une longue durée de vie. Les intervalles d'entretien indiqué sont prévus pour des conditions normales. Ces intervalles peuvent être raccourcis si vous avez des animaux de compagnie ou il y a d'autres considérations spéciales.

#### **Ce qu'il ne faudrait pas faire**

Ne jamais garder dans la trémie de stockage autres choses que les glaçons : les objets tels que les bouteilles de vin ou de bière non seulement ne sont pas hygiéniques, mais en plus les étiquettes peuvent se décoller et obstruer le drainage.

#### **Ce qui doit être gardé propre**

Il y a 5 choses qui doivent rester propres :

1. L'extérieur
2. L'intérieur
3. Le tube de distribution d'eau
4. Le système de fabrication de la glace
5. Les ailettes du condenseur



### AVERTISSEMENT

Avant de procéder aux opérations de nettoyage et entretien, s'assurer que le câble d'alimentation est débranché et que l'arrivée d'eau est fermée. (EXCEPTION : nettoyage du système de l'appareil).

## ***Nettoyage de l'extérieur***

L'extérieur de la machine à glaçons et du compartiment peut être nettoyé à l'aide d'un chiffon doux ou d'une éponge humide avec une solution d'eau chaude et de détergent doux, comme par exemple 1 once (29,6 ml) de produit à vaisselle mélangé à 2 gallons (7,6 l) d'eau chaude. Ne jamais utiliser d'agent de nettoyage abrasif ou à base de solvant. Rincer avec de l'eau propre. Essuyer avec une serviette douce propre pour éviter les taches d'eau.

## ***Nettoyage de l'intérieur***

Nettoyer le réservoir d'eau avant d'utiliser la machine à glaçons pour la première fois et de la réutiliser après l'avoir arrêtée pendant une durée prolongée. Il est en général pratique d'aseptiser le réservoir après avoir nettoyé le système de fabrication de glaçons et lorsque le compartiment d'emmagasinage de la glace est vide. Le compartiment d'emmagasinage de la glace doit être aseptisé de temps à autre. Suivre ces étapes pour nettoyer le réservoir et le compartiment :

1. Débrancher l'appareil.
2. Retirer le panneau avant de la machine à glaçons.
3. Utiliser une solution désinfectante constituée de 1 once (29,6 ml) d'agent de blanchiment ménager et de 2 gallons (7,6 l) d'eau chaude (entre 95 et 115 °F [35 et 46 °C]), puis essuyer le réservoir d'eau et l'intérieur du compartiment d'emmagasinage de la glace avec un chiffon propre. Appliquer la solution désinfectante avec un flacon vaporisant pour nettoyer les coins difficiles à atteindre.
4. Rincer abondamment avec de l'eau claire. Ceci achève la procédure de nettoyage de la machine à glaçons et du compartiment d'emmagasinage de la glace.
5. Rebrancher l'appareil.



### **AVERTISSEMENT**

NE PAS utiliser d'agent de nettoyage abrasif ou à base de solvant sur l'intérieur. Ces produits de nettoyage peuvent transmettre le goût aux glaçons, ou endommager ou décolorer l'intérieur.

## ***Nettoyage du tube de distribution d'eau***

Si les glaçons ne sont pas complètement formés ou que le rendement en glaçons est faible, il est possible que le tube de distribution d'eau soit bloqué. Mettre l'interrupteur d'alimentation en position OFF. Dévisser les panneaux du dessus et de l'avant. Le tube de distribution d'eau devient visible. Faire tourner le tube de distribution d'eau de manière à ce que ses trous soient dirigés vers le haut. Utiliser un cure-dent ou un objet similaire pour dégager les trous, puis faire tourner le tube de distribution d'eau pour le remettre dans sa position d'origine. Si le tube est très bloqué, le nettoyer comme suit :

1. Couper l'eau et l'alimentation.
2. Déconnecter le tuyau d'eau du tube de distribution.
3. Soulever un côté et retirer le tube de distribution.
4. Utiliser une brosse pour nettoyer le tube avec une solution diluée d'eau chaude et d'un détergent doux tel que du produit à vaisselle. Retirer la saleté et les poussières de la surface, puis rincer le tube avec de l'eau propre.
5. Remettre le tube de distribution en place.

6. Reconnecter les conduits d'alimentation en eau et d'alimentation électrique.
7. Attacher à nouveau les panneaux du dessus et de l'avant.

### ***Nettoyage du système de fabrication de glaçons***

Les minéraux retirés de l'eau pendant le cycle de congélation finissent par former un dépôt de tartre dur dans le système d'eau. Nettoyer régulièrement le système aide à retirer ces accumulations de minéraux. La fréquence à laquelle le système doit être nettoyé dépend de la dureté de l'eau et de l'efficacité du système de filtration. Avec de l'eau dure de 15 à 20 grains/gallon (4 à 5 grains/litre), le système doit être nettoyé tous les 3 mois.

1. Retirer le panneau avant de la machine à glaçons.
2. Assurez-vous que toute la glace est sortie de l'évaporateur. Si la glace s'est faite, inaugurez le récolte ou attendez l'achèvement de cycle, alors éteindre la machine à l'interrupteur.
3. Retirer tous les glaçons du compartiment d'emmagasinage de la glace.
4. Laisser la machine à glaçons connectée à la conduite d'alimentation en eau. Verser 8 onces (236,6 ml) de solution de nettoyage de machine à glaçons sans danger pour le nickel dans le réservoir d'eau.
5. Mettre l'interrupteur d'alimentation en position ON. Appuyer durant les 3 minutes suivantes sur le bouton de nettoyage. La machine se met automatiquement en mode de nettoyage.
6. Le cycle de nettoyage de la machine à glaçons se poursuit pendant 30 minutes à moins que l'interrupteur d'alimentation soit actionné (au cours de ces 30 minutes, l'utilisateur peut appuyer sur l'interrupteur pour arrêter le cycle de nettoyage). Les DEL du témoin de récolte et du témoin de fabrication des glaçons s'allument une fois le nettoyage achevé. La procédure de nettoyage s'arrête.
7. Répéter trois fois les étapes 4 et 5 ci-dessus pour rincer abondamment le système de fabrication de glaçons. Ceci complète le nettoyage du système de fabrication de glaçons.  
(REMARQUE : Ne pas ajouter de solution de nettoyage pour machine à glaçons dans le réservoir d'eau au cours des rinçages.)
8. Effectuer les étapes 3 et 4 de la section *Nettoyage de l'intérieur*.
9. Pour faire des glaçons après le nettoyage, mettre l'interrupteur d'alimentation en position OFF, puis mettre l'interrupteur d'alimentation en position ON. Le cycle de fabrication de glaçons suivant commence.
10. Jeter le premier lot de glaçons.

**REMARQUE: Si vous appuyez l'interrupteur d'alimentation pour arrêter le nettoyage pendant le cycle de nettoyage, quelque eau usée peut rester dans le réservoir d'eau. Appuyez le bouton *Clean* et le détenez plus que 6 secondes. La machine entrera le mode de drainage et l'eau usée sera drainée.**



## **AVERTISSEMENT**

Le produit de nettoyage de l'appareil contient des acides.

NE PAS utiliser ou mélanger avec d'autres produits de nettoyage à base de solvants.

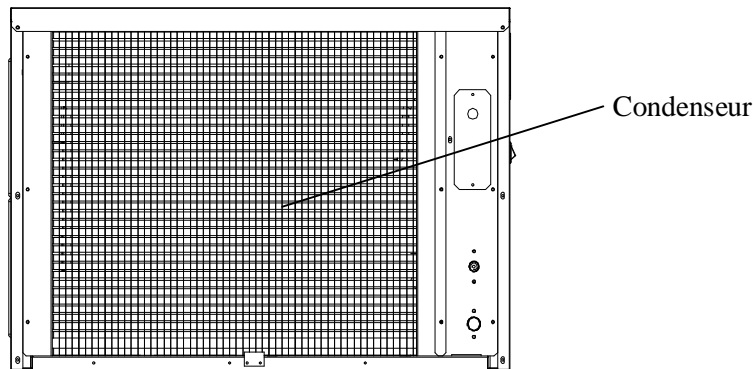
Utiliser des gants en caoutchouc pour la protection des mains. Lire attentivement les instructions sur le récipient du produit de nettoyage.

JETER le premier lot de glaçons après tout nettoyage.



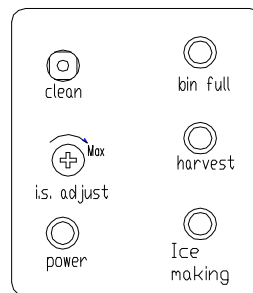
## Nettoyage des ailettes du condenseur

1. Voir le schéma ci-dessous.



2. Le condenseur refroidi par l'air devrait être passé à l'aspirateur une ou deux fois par l'année pour enlever n'importe quelles peluches qui peuvent y'avoir été aspirées. Utiliser un outil pointu comme un cure-dent pour enlever les peluches qui adhèrent aux ailettes du condenseur.

## Panneau de contrôle (à la gauche de la machine)



Le panneau de contrôle se trouve à la gauche de la machine. Ce panneau inclut un bouton, une vis réglable et quatre témoins DEL.

### Fonctionnement du panneau de contrôle :

1. Lorsque l'unité est branchée et que l'interrupteur d'alimentation est en position ON, le témoin d'alimentation et les trois autres témoins sont allumés.
2. Après les trois minutes réservées à l'arrivée d'eau, la machine à glaçons commence automatiquement à fabriquer des glaçons. Seuls les témoins d'alimentation et de fabrication de glaçons sont alors allumés.
3. Pendant la phase de récolte, le témoin de récolte est allumé et celui de fabrication des glaçons est éteint. Lorsque le compartiment d'emmagasinement de la glace est plein, le témoin de remplissage en glaçons et le témoin d'alimentation sont allumés.
4. Si le bouton de nettoyage est actionné alors que la machine est en mode de fabrication de glaçons ou de récolte, il est ignoré. La machine continue à fabriquer des glaçons.
5. Si l'utilisateur désire nettoyer la machine, il doit d'abord mettre l'interrupteur d'alimentation successivement en position OFF et ON. Appuyer sur le bouton de nettoyage durant 3 minutes pour que la machine à glaçons lance le mode de nettoyage ; les témoins de récolte et de fabrication de glaçons se mettent alors à clignoter. Le mode de nettoyage s'arrête après 30 minutes ; les témoins de récolte et de fabrication de glaçons restent alors allumés en continu. Pour redémarrer la procédure de fabrication de glaçons

après le nettoyage, commencer par mettre l'interrupteur d'alimentation en position OFF, puis mettre à nouveau l'interrupteur d'alimentation en position ON pour que la machine se remette automatiquement à fabriquer des glaçons.

6. Pour interrompre le mode de nettoyage avant qu'il soit achevé, ne pas appuyer à nouveau sur le bouton de nettoyage. Mettre en revanche l'interrupteur d'alimentation en position OFF. Ceci arrête le cycle de nettoyage.
7. Si la machine est sous tension mais que seul le témoin d'alimentation est allumé, il est possible qu'une quantité insuffisante d'eau atteigne le système, que la pompe à eau ne fonctionne pas ou qu'un problème similaire se soit produit. Commencer par vérifier le niveau d'eau dans le réservoir d'eau, puis examiner la pompe à eau, etc.
8. Si l'appareil est connecté au conduit d'alimentation en eau mais qu'aucun témoin visuel ne s'allume lorsque l'interrupteur d'alimentation est mis en position ON, le fusible du boîtier du panneau de contrôle doit peut-être être remplacé.

### **Description des témoins DEL et des boutons :**

1. **DEL de remplissage en glaçons (blanche) :** Témoin de remplissage en glaçons  
Lorsque la DEL est allumée, ceci indique que le niveau de glace dans le compartiment d'emmagasinement de la glace est assez haut pour maintenir ouvert le rideau d'eau, le microinterrupteur est ouvert, ou quelque chose bloque la fermeture du rideau d'eau. L'appareil s'arrête de fonctionner. Lorsque les glaçons sont retirés du compartiment d'emmagasinement de la glace, ceci dégage la sonde de remplissage en glaçons, et la DEL blanche clignote pendant 3 minutes. L'appareil redémarre ensuite et se remet en mode de fabrication de glaçons.
2. **DEL de fabrication de glaçons (verte) :** Témoin de fabrication de glaçons  
Lorsque cette DEL est allumée, l'appareil est en mode de fabrication de glaçons.
3. **DEL de récolte de glaçons (jaune) :** Témoin de récolte de glaçons  
Lorsque cette DEL est allumée, l'appareil travaille en mode de récolte de glaçons, contrôlé par le microinterrupteur.
4. **Réglage de la taille :** Réglage du pont des glaçons  
Pour le service seulement. L'ajustement de cette vis par les personnes non qualifiées peut endommager les contrôles de la machine.
5. **Interrupteur d'alimentation**  
Il s'agit de l'interrupteur principal. Lorsqu'il est mis en position ON, l'appareil commence à fonctionner après 3 minutes. Le témoin DEL d'alimentation est allumé.
6. **Bouton de nettoyage (Clean)**  
Si le bouton de nettoyage est actionné au cours des trois minutes suivant la mise sous tension, la machine à glaçons se met en mode de nettoyage. Si vous appuyez le bouton de nettoyage et le maintenez en place plus que six secondes, la machine entrera le mode de drainage. Les DEL verte et jaune clignotent simultanément.

### **IMPORTANT :**

- Éviter de laisser de l'eau pénétrer dans le boîtier de contrôle.

## Solution des problèmes

### *Avant d'appeler le service d'entretien*

Si le fonctionnement de l'appareil semble douteux, lire d'abord la section FONCTIONNEMENT de ce manuel. Si le problème persiste, vérifier la section de Solution des Problèmes ci-dessous et aux pages suivantes. Le problème pourrait être quelque chose de très simple qui peut être résolu sans appeler le service d'entretien.

### Guide à la solution des problèmes

Problème	Cause possible	Remède probable
L'appareil ne fonctionne pas	La fiche est débranchée.	Brancher la fiche.
	Le fusible a sauté.	Remplacer le fusible ó si cela se répète, appeler l'entretien pour vérifier s'il y a un court-circuit dans l'appareil.
	L'interrupteur de l'appareil est sur « OFF ».	Amener l'interrupteur de l'appareil sur « ON ».
	La trémie de stockage des glaçons est pleine.	Enlever quelques glaçons. Vérifier que le rideau d'eau et le microinterrupteur sont fermés.
L'eau n'arrive pas après le démarrage de l'appareil	Le robinet d'alimentation de l'eau est fermé.	Ouvrir le robinet d'alimentation de l'eau.
	Le tube d'arrivée de l'eau n'est pas bien branché.	Vérifier le branchement du tube d'alimentation de l'eau.
L'appareil prépare la glace, mais la trémie ne se remplit pas de glaçons	Il est possible que le condenseur soit sale.	Nettoyer le filtre à air du condenseur
	Le passage de l'air à l'appareil peut être obstrué.	Vérifier l'installation.
	La température ambiante et la température de l'eau sont élevées ou la machine est en proximité d'une source de chaleur.	Vérifier l'installation.
Fuites d'eau par l'appareil	Quelques gouttes d'eau tombent sur le plancher quand on ouvre la porte pour prélever les glaçons de la trémie de stockage.	Condensation normale sur la porte ou un peu d'eau avec la glace. Faire attention quand on sort les glaçons.
	Fuite du branchement d'alimentation d'eau.	Serrer les joints. Voir « Branchement de l'alimentation d'eau ».

<b>Problème</b>	<b>Cause possible</b>	<b>Remède probable</b>
Les glaçons sont partiellement formés ou ils sont blancs au fond	Quantité d'eau insuffisante dans le réservoir de l'eau.	Vérifier que la pression de l'eau n'est pas inférieure à 15 psig.
		Vérifier que le filtre sur l'eau d'alimentation n'est pas colmaté.
		Vérifier l'absence de fuites d'eau sur le réservoir.
Bruit pendant le fonctionnement	Les pieds ne sont pas à niveau et bloqués.	Vérifier que la trémie de stockage des glaçons est droite. Ajuster si nécessaire.
	Certains bruits indiquent un fonctionnement normal.	Voir « Bruits qui indiquent un fonctionnement normal ».
L'appareil s'arrête tout à coup pendant la fabrication de la glace	L'électricité est coupée.	Brancher l'alimentation.
	La température ambiante est en dehors des limites prescrites.	Couper l'électricité; laisser l'appareil à l'arrêt jusqu'à ce que la température redevienne normale.
	Le compartiment d'emmagasinage de la glace est rempli de glaçons.	Retirer certains glaçons. Vérifier que le rideau d'eau et le microinterrupteur sont fermés.
Le corps de l'appareil est électrisé	Le câble de terre n'est pas branché.	Utiliser une prise correspondante aux normes électriques requises.
Entartrages fréquents dans la machine	Dureté de l'eau trop élevée.	Utiliser un adoucisseur en amont de la valve d'entrée de l'eau.

## Garantie limitée

Franklin Industries, L.L.C., garantit que ce produit est exempt de défauts de matériel et de main-d'œuvre pour une période de 1 an à partir de la date de l'achat original. Franklin garantit aussi le compresseur pour 5 années avec une garantie Pièces-seulement de la date d'achat. Toutes pièces avérées comme défectueuses seront remplacées ou réparées, à sa discrétion seule, gratuitement par Franklin à condition qu'il soit démontré que l'appareil a été utilisé en respectant les instructions en annexe ou livrées avec le produit. Si l'unité se révèle défectueuse, vous devriez d'abord suivre la règle de retour du détaillant.

Cette garantie couvre uniquement les États-Unis continentaux et ne concerne pas les éléments suivants :

- Dommages dus à un voltage ou une installation incorrecte
- Dommages dus au transport
- Défauts autres que les défauts de fabrication
- N'importe quelles dépenses d'installation qui peuvent être contractées
- Main-d'œuvre ou réparations après la période initiale de 12 mois
- Dommages dus à des abus, utilisation incorrecte, accidents, modifications ou manque des soins appropriés ou d'entretien
- Entretien ou réparations impropres ou exécutés inexactement
- Usage de pièces pas recommandées par Franklin Industries, L.L.C.
- Dégâts grâce aux actes de Dieu.

Cette garantie limitée remplace toutes autres garanties expresses ou implicites. Cette garantie ne couvre pas les dommages dus à des accidents ou aux conséquences. Certains pays n'autorisent pas de l'exclusion ou limitation des dommages accidentels ou consécutifs, par conséquent les limitations ou exclusions indiquées ci-dessus peuvent ne pas s'appliquer.

Cette garantie assure au client des droits légaux spécifiques et le client peut avoir d'autres droits qui varient d'un état à l'autre. Consulter les matériels écrits qui accompagnent votre produit pour l'opération sûre et propre.

Cette garantie ne peut pas être assignée.

Pour les services sous garantie, contacter :

**Franklin Industries, L.L.C.**  
**4100 First Avenue**  
**Brooklyn, NY 11232-3321**  
**Tél. : 1-866-837-5277**  
**Site web : [www.franklinchef.com](http://www.franklinchef.com)**

Lors de la requête de services, avoir sous la main les chiffres qui indiquent le modèle et le numéro de série de l'appareil, gravés sur la plaque d'identification à l'arrière de l'appareil, ainsi que la preuve d'achat tel qu'un reçu de vente ou de cadeau.







Tested and certified to NSF standard 12 by NSF International  
Probado y certificado por NSF International de acuerdo con la norma NSF 12  
Testé et homologué par NSF International contre la norme NSF12